

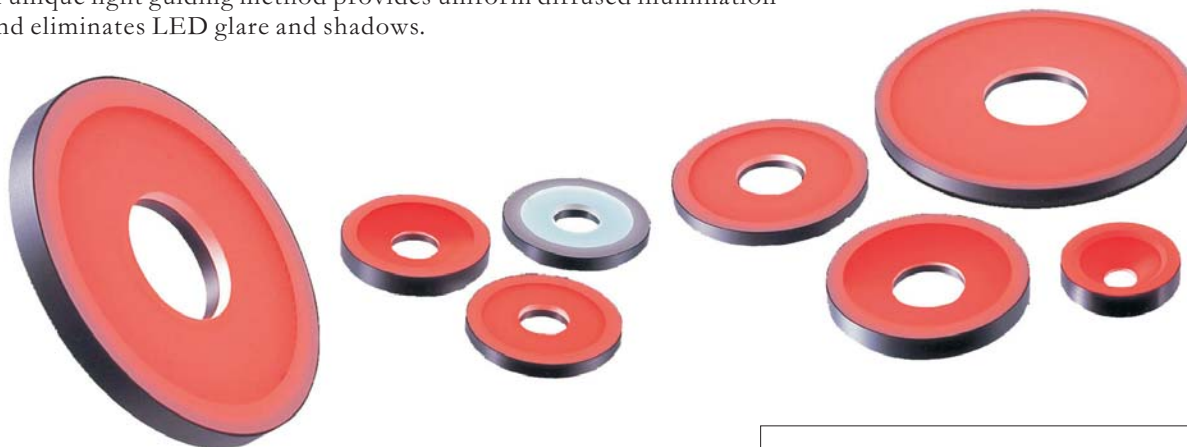
Flat-ring Lights

FSRL/FSRL-K Series

Indirect Lighting

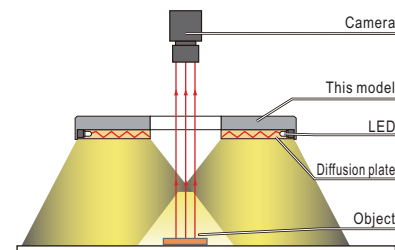
Evenly diffused top lighting

A unique light guiding method provides uniform diffused illumination and eliminates LED glare and shadows.



Illumination structure of FSRL-100

Light from the LEDs around the periphery of the light diffusion plate is scattered and reflected within the plate to create diffuse light that illuminates from directly overhead.



Product Lineup Table

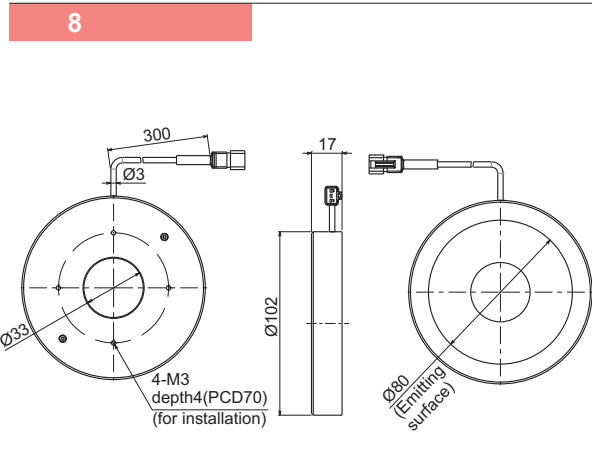
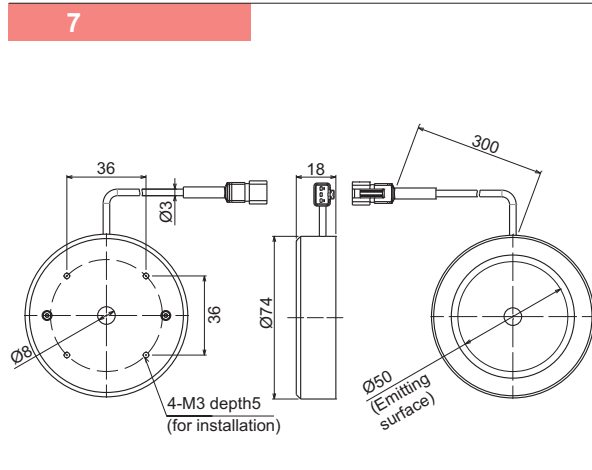
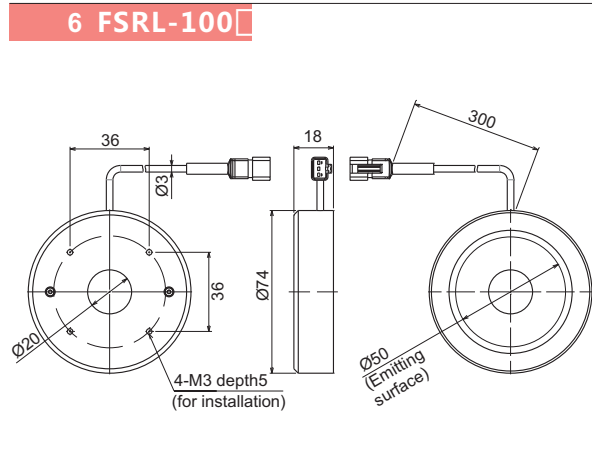
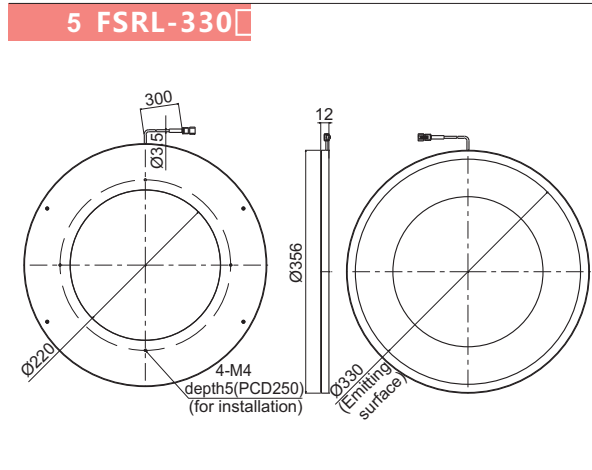
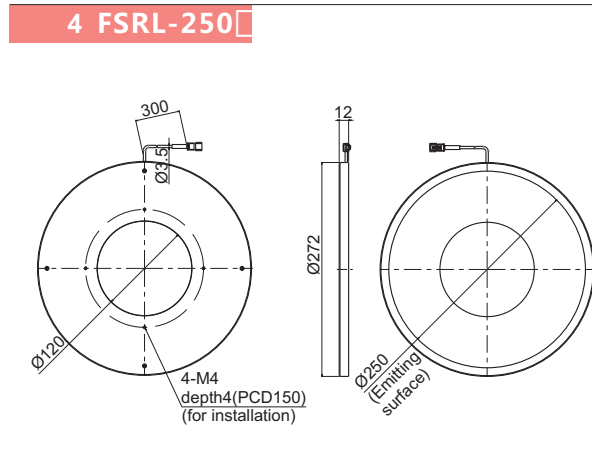
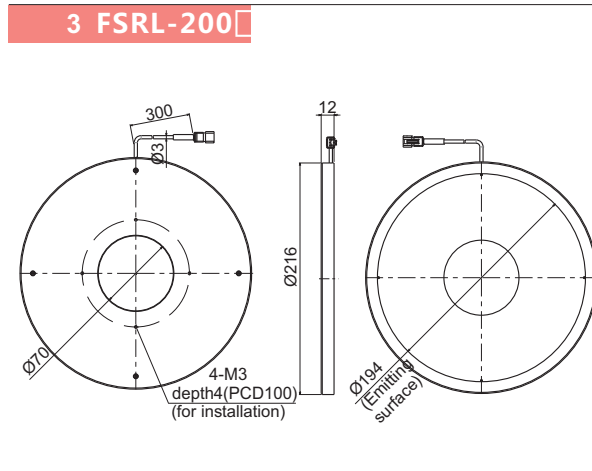
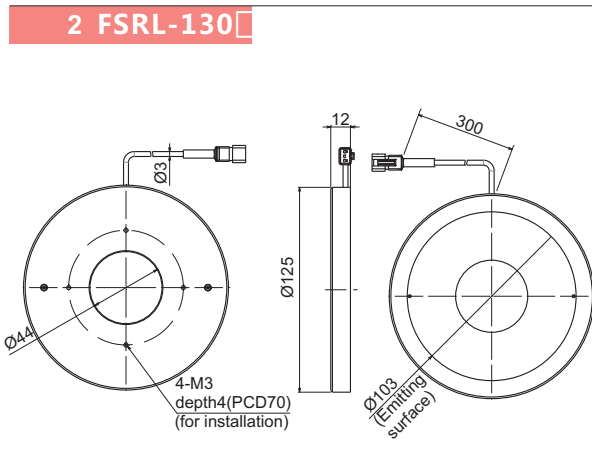
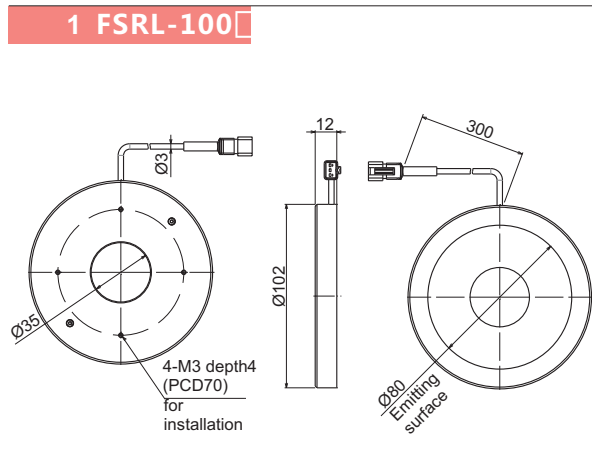
Series	Model Name	Color	Power Consumption	Dimension
FSRL	FSRL-100R	●	24V/3.6W	1
	FSRL-100W	○	24V/4.6W	
	FSRL-100B	●	24V/4.9W	
	FSRL-100G	●	24V/4.9W	
	FSRL-130R	●	24V/4.6W	2
	FSRL-130W	○	24V/5.7W	
	FSRL-130B	●	24V/6.1W	
	FSRL-130G	●	24V/6.1W	3
	FSRL-200R	●	24V/8.1W	
	FSRL-200W	○	24V/11W	
	FSRL-200B	●	24V/11W	4
	FSRL-250R	●	24V/11W	
	FSRL-250W	○	24V/13W	
	FSRL-250B	●	24V/14W	
	FSRL-250G	●	24V/14W	
FSRL-330R	●	24V/14W	5	

Series	Model Name	Color	Power Consumption	Dimension
FSRL-K	FSRL-70R-K	●	24V/3.6W	6
	FSRL-70W-K	○	24V/3.8W	
	FSRL-70B-K	●	24V/4.1W	
	FSRL-70G-K	●	24V/4.1W	7
	FSRL-70R-8K	●	24V/2.6W	
	FSRL-70W-8K	○	24V/3.8W	
	FSRL-70B-8K	●	24V/4.1W	
	FSRL-70G-8K	●	24V/4.1W	8
	FSRL-100R-K	●	24V/3.6W	
	FSRL-100W-K	○	24V/4.6W	
	FSRL-100B-K	●	24V/4.9W	
	FSRL-100G-K	●	24V/4.9W	9
	FSRL-125R-K	●	24V/4.6W	
	FSRL-125W-K	○	24V/5.7W	
	FSRL-125B-K	●	24V/6.1W	
	FSRL-125G-K	●	24V/6.1W	10
	FSRL-130R-K	●	24V/4.6W	
	FSRL-130W-K	○	24V/5.7W	
	FSRL-130B-K	●	24V/6.2W	
	FSRL-130G-K	●	24V/6.2W	

Flat-ring Lights

FSRL/FSRL-K Series

Indirect Lighting



- System •
- Optical •
- Motion •
- Vision •
- Mechanics •
- Index •

- VDM
- Lighting
- Lens
- Camera

- Ring Lights
- Low-angle
- Bar Lights
- Flat-ring
- Flat Lights
- Dome Lights
- Coaxial Lights
- Spot Lights

Flat-ring Lights

FSRL/FSRL-K Series

- System
- Optical
- Motion
- Vision**
- Mechanics
- Index
- VDM
- Lighting**
- Lens
- Camera
- Ring Lights
- Low-angle
- Bar Lights
- Flat-ring**
- Flat Lights
- Dome Lights
- Coaxial Lights
- Spot Lights

Indirect Lighting

