

## Dome Lights

## SPSL Series

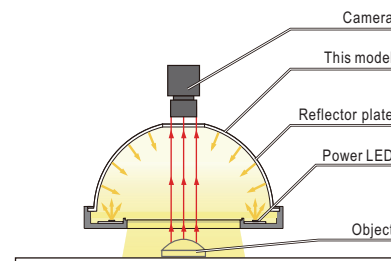
### Indirect Lighting

"Brighter" "More uniform" "Easy to use" High-Power Dome Lights  
 Enhanced light intensity and larger uniform area allows for use in more diversified applications.



#### Illumination structure of SPSL-150

The use of power LEDs significantly enhances the light intensity compared with conventional lights. The unique illumination structure achieves a larger uniform area.



### Product Lineup Table

Series	Model Name	Color	Power Consumption	Dimension
<b>SPSL</b>	SPSL-100R	●	24V/9.0W	1
	SPSL-100W	○	24V/14W	
	SPSL-100B	●		
	SPSL-150R	●	24V/16W	2
	SPSL-150W	○	24V/20W	
	SPSL-150B	●		
	SPSL-250R	●	24V/25W	3
	SPSL-250W	○	24V/37W	
	SPSL-250B	●		
	SPSL-400R	●	24V/25W	4
	SPSL-400W	○	24V/41W	
	SPSL-400B	●		

System

Optical

Motion

Vision

Mechanics

Index

VDM

Lighting

Lens

Camera

Ring Lights

Low-angle

Bar Lights

Flat-ring

Flat Lights

Dome Lights

Coaxial Lights

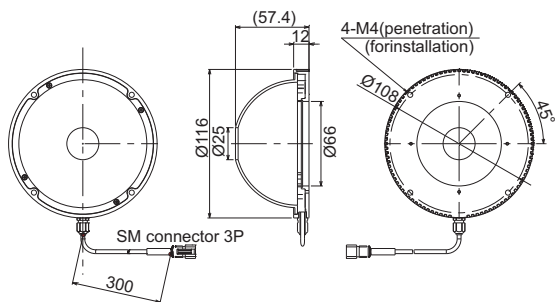
Spot Lights

# Dome Lights

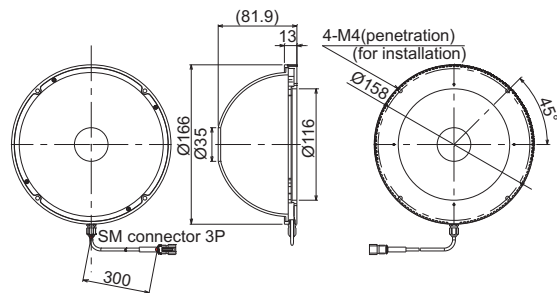
## SPSL Series

### Indirect Lighting

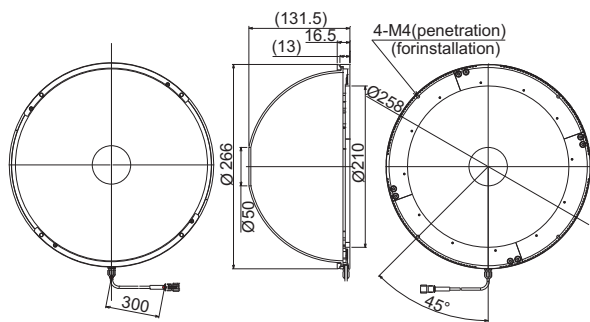
1 SPSL-100 □



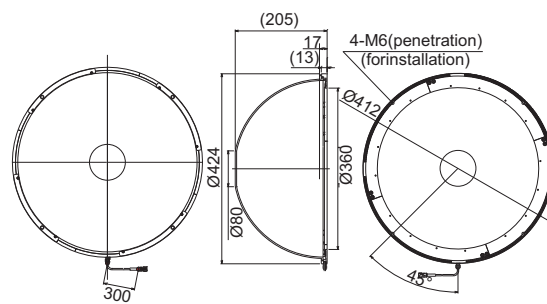
2 SPSL-150 □



3 SPSL-250 □



4 SPSL-400 □



- System •
- Optical •
- Motion •
- Vision •**
- Mechanics •
- Index •
- VDM
- Lighting**
- Lens
- Camera
- Ring Lights
- Low-angle
- Bar Lights
- Flat-ring
- Flat Lights
- Dome Lights**
- Coaxial Lights
- Spot Lights