

## Ring Lights

## R2L Series

### Direct Lighting

### High-intensity light output, creating crisp vivid image

Direct light can be irradiated with focus on the center of the workpiece from any angle.



- System
- Optical
- Motion

#### Vision

- Mechanics
- Index

VDM

#### Lighting

Lens

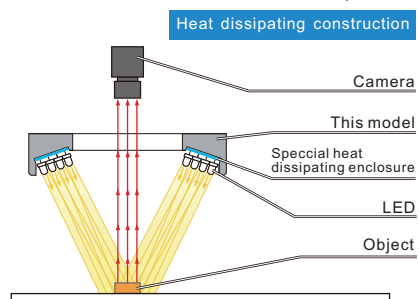
Camera

#### Ring Lights

- Low-angle
- Bar Lights
- Flat-ring
- Flat Lights
- Dome Lights
- Coaxial Lights
- Spot Lights

#### Illumination structure of R2L

The flexible board is formed to the desired shape and a high-density LED array placed on the substrate. The light is concentrated at the center of the illumination system.



# Ring Lights

## R2L Series

### Direct Lighting

- System
- Optical
- Motion
- Vision
- Mechanics
- Index

- VDM
- Lighting
- Lens
- Camera
- Ring Lights
- Low-angle
- Bar Lights
- Flat-ring
- Flat Lights
- Dome Lights
- Coaxial Lights
- Spot Lights

### Product Lineup Table

Series	Model Name	Color	Power Consumption	Dimension	
R2L	R2L-3275-R	●	24V/0.78W	1	
	R2L-3275-G	●	24V/1.2W		
	R2L-3275-B	●			
	R2L-3275-W	○			
R2L	R2L-4090-R	●	24V/0.48W	2	
	R2L-4090-G	●	24V/0.8W		
	R2L-4090-B	●			
	R2L-4090-W	○			
R2L	R2L-4265-R	●	24V/1.04W	3	
	R2L-4265-G	●	24V/1.7W		
	R2L-4265-B	●			
	R2L-4265-W	○			
R2L	R2L-4865-R	●	24V/0.48W	4	
	R2L-4865-G	●	24V/0.72W		
	R2L-4865-B	●			
	R2L-4865-W	○			
R2L	R2L-5060-R	●	24V/1.3W	5	
	R2L-5060-G	●	24V/2W		
	R2L-5060-B	●			
	R2L-5060-W	○			
R2L	R2L-5060-UV	●	24V/2W		
	R2L-5090-R	●		24V/1.2W	6
	R2L-5090-G	●		24V/2.16W	
	R2L-5090-B	●			
R2L-5090-W	○				
R2L	R2L-5460-R	●	24V/1.2W	7	
	R2L-5460-G	●	24V/2.16W		
	R2L-5460-B	●			
	R2L-5460-W	○			
R2L	R2L-5480-R	●	24V/1.2W	8	
	R2L-5480-G	●	24V/2.16W		
	R2L-5480-B	●			
	R2L-5480-W	○			
R2L	R2L-5590-R	●	24V/1.15W	9	
	R2L-5590-G	●	24V/1.92W		
	R2L-5590-B	●			
	R2L-5590-W	○			
R2L	R2L-5860-R	●	24V/1.68W	10	
	R2L-5860-G	●	24V/2.64W		
	R2L-5860-B	●			
	R2L-5860-W	○			
R2L	R2L-6060-R	●	24V/1.44W	11	
	R2L-6060-G	●	24V/2.64W		
	R2L-6060-B	●			
	R2L-6060-W	○			
R2L	R2L-7090-R	●	24V/2.34W	12	
	R2L-7090-G	●	24V/3.6W		
	R2L-7090-B	●			
	R2L-7090-W	○			
R2L	R2L-7460-R	●	24V/2.34W	13	
	R2L-7460-G	●	24V/3.6W		
	R2L-7460-B	●			
	R2L-7460-W	○			

Series	Model Name	Color	Power Consumption	Dimension	
R2L	R2L-8080-G	●	24V/5.52W	14	
	R2L-8080-B	●			
	R2L-8080-W	○			
	R2L-8080-UV	●			
R2L	R2L-9070-R	●	24V/4.03W	15	
	R2L-9070-G	●	24V/6.2W		
	R2L-9070-B	●			
	R2L-9070-W	○			
R2L	R2L-9080-R	●	24V/3.5W	16	
	R2L-9080-G	●	24V/7.2W		
	R2L-9080-B	●			
	R2L-9080-W	○			
R2L	R2L-9080-IR	●	24V/3.5W	17	
	R2L-10090-R	●	24V/5.04W		17
	R2L-10090-G	●	24V/8.4W		
	R2L-10090-B	●			
R2L-10090-W	○				
R2L	R2L-12050-R4	●	24V/6.2W	18	
	R2L-12050-G4	●	24V/10.32W		
	R2L-12050-B4	●			
	R2L-12050-W4	○			
R2L	R2L-12050-R7	●	24V/10.08W	19	
	R2L-12050-G7	●	24V/20.16W		
	R2L-12050-B7	●			
	R2L-12050-W7	○			
R2L	R2L-12060-R	●	24V/9.1W	20	
	R2L-12060-G	●	24V/14W		
	R2L-12060-B	●			
	R2L-12060-W	○			
R2L	R2L-12070-R	●	24V/6W	21	
	R2L-12070-G	●	24V/10.08W		
	R2L-12070-B	●			
	R2L-12070-W	○			
R2L	R2L-12080-R	●	24V/6.5W	22	
	R2L-12080-G	●	24V/15.16W		
	R2L-12080-B	●			
	R2L-12080-W	○			
R2L	R2L-12090-R	●	24V/5.04W	23	
	R2L-12090-G	●	24V/8.64W		
	R2L-12090-B	●			
	R2L-12090-W	○			
R2L	R2L-18060-R	●	24V/9.36W	24	
	R2L-18060-G	●	24V/14.4W		
	R2L-18060-B	●			
	R2L-18060-W	○			
R2L	R2L-20860-R	●	24V/8.64W	25	
	R2L-20860-G	●	24V/14.4W		
	R2L-20860-B	●			
	R2L-20860-W	○			

System

Optical

Motion

Vision

Mechanics

Index

VDM

Lighting

Lens

Camera

Ring Lights

Low-angle

Bar Lights

Flat-ring

Flat Lights

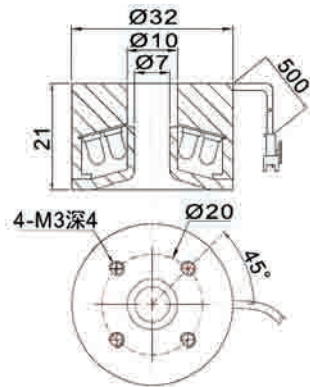
Dome Lights

Coaxial Lights

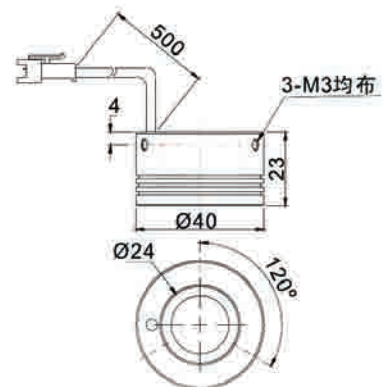
Spot Lights

### Direct Lighting

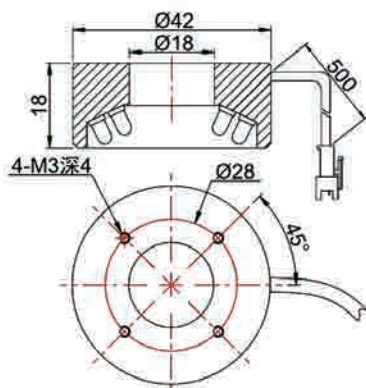
#### 1 R2L-3275-□



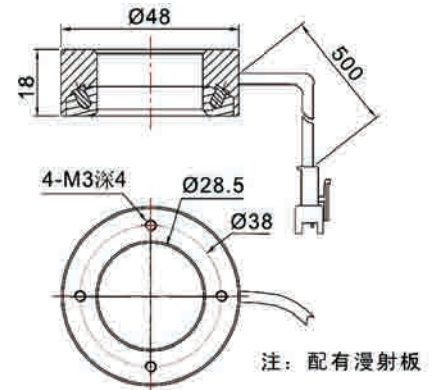
#### 2 R2L-4090-□



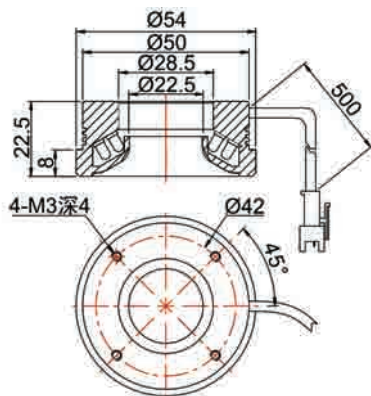
#### 3 R2L-4265-□



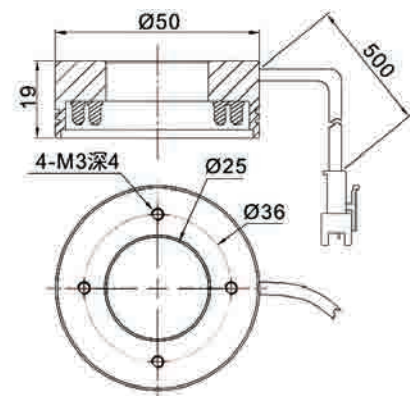
#### 4 R2L-4865-□



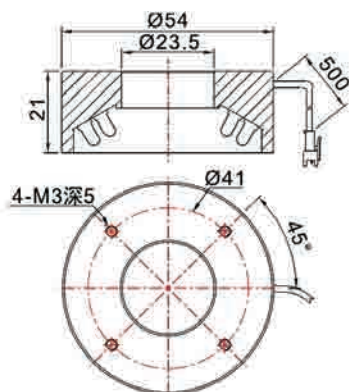
#### 5 R2L-5060-□



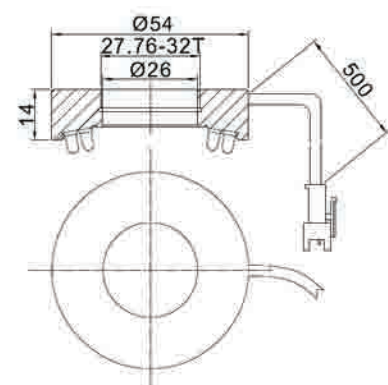
#### 6 R2L-5090-□



#### 7 R2L-5460-□



#### 8 R2L-5480-□

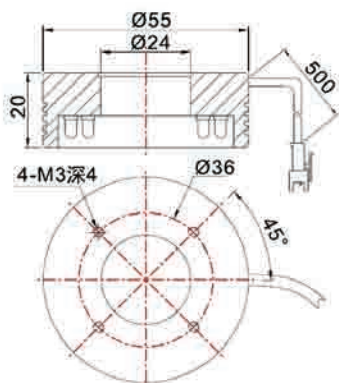


# Ring Lights

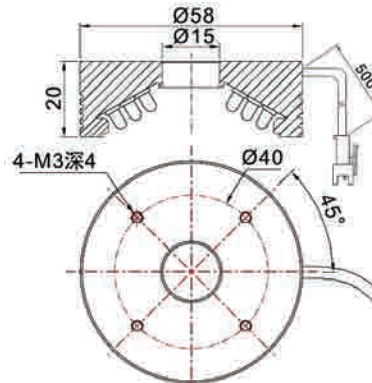
## R2L Series

### Direct Lighting

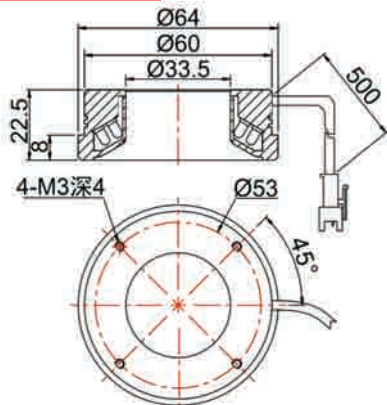
9 R2L-5590-□



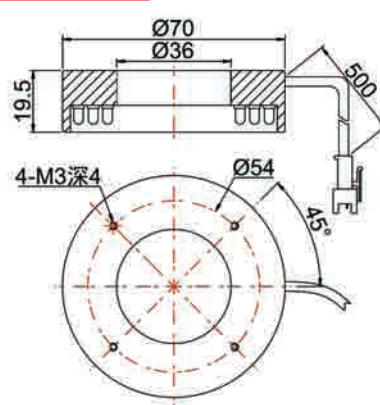
10 R2L-5860-□



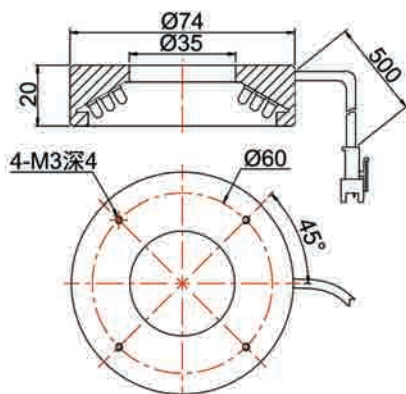
11 R2L-6060-□



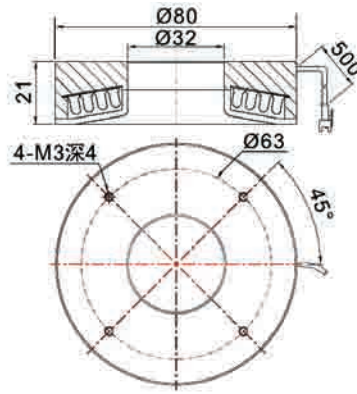
12 R2L-7090-□



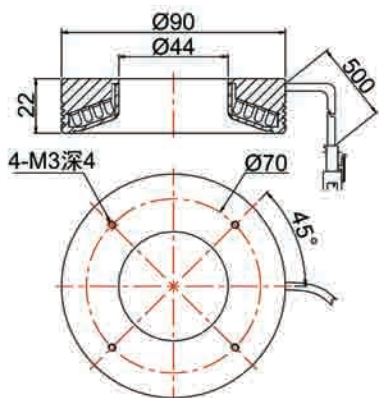
13 R2L-7460-□



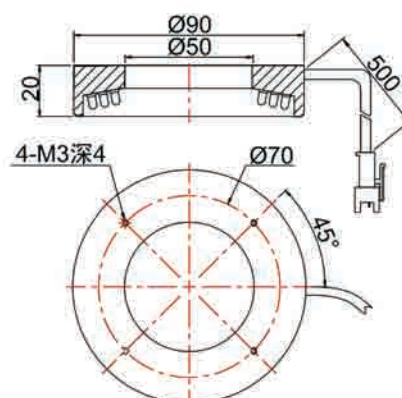
14 R2L-8080-□



15 R2L-9070-□



16 R2L-9080-□



- System •
- Optical •
- Motion •
- Vision •**
- Mechanics •
- Index •
- VDM
- Lighting**
- Lens
- Camera

- Ring Lights**
- Low-angle
- Bar Lights
- Flat-ring
- Flat Lights
- Dome Lights
- Coaxial Lights
- Spot Lights



## Ring Lights

## R2L Series

System

Optical

Motion

Vision

Mechanics

Index

VDM

Lighting

Lens

Camera

Ring Lights

Low-angle

Bar Lights

Flat-ring

Flat Lights

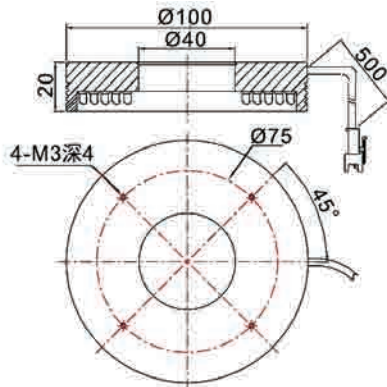
Dome Lights

Coaxial Lights

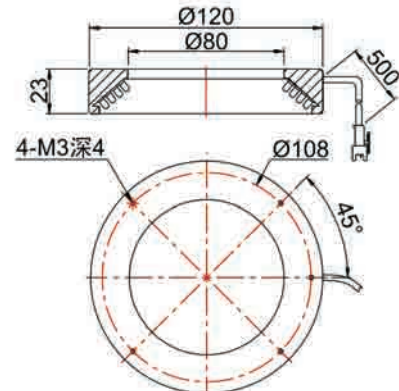
Spot Lights

### Direct Lighting

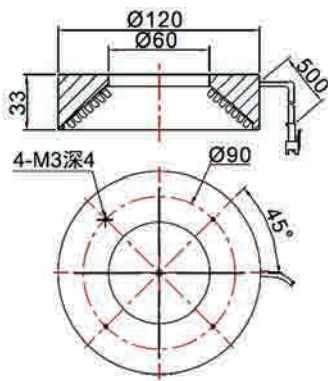
17 R2L-10090-□



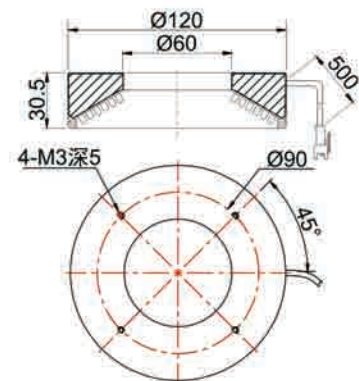
18 R2L-12050-□4



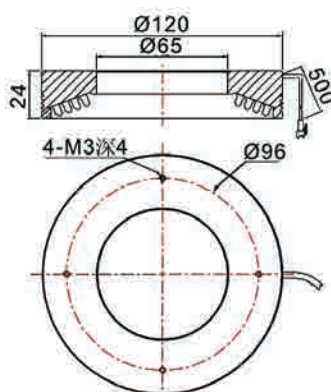
19 R2L-12050-□7



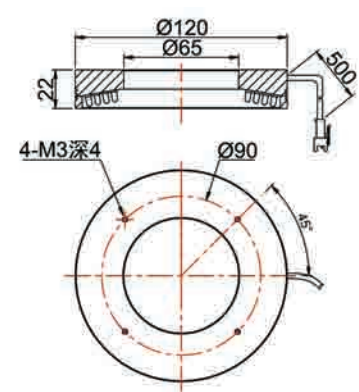
20 R2L-12060-□



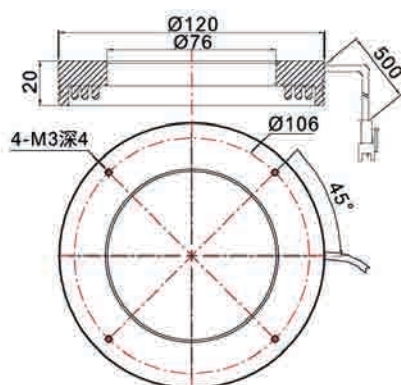
21 R2L-12070-□



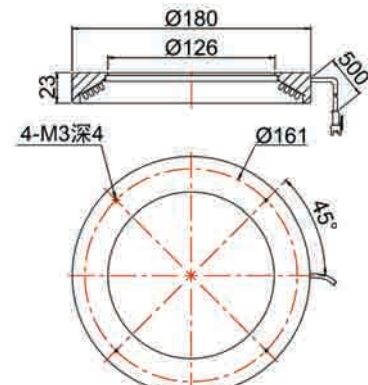
22 R2L-12080-□



23 R2L-12090-□



24 R2L-18060-□

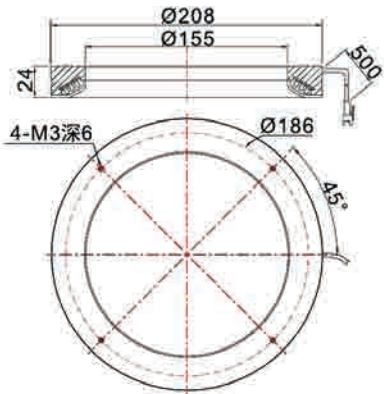


# Ring Lights

## R2L Series

### Direct Lighting

25 R2L-20860-□



System

Optical

Motion

Vision

Mechanics

Index

VDM

Lighting

Lens

Camera

Ring Lights

Low-angle

Bar Lights

Flat-ring

Flat Lights

Dome Lights

Coaxial Lights

Spot Lights