

## Low-angle Ring Lights

## R2L-L Series

### Direct Lighting

**Ideal for edge detection and highlighting scratches on glossy surfaces**

Low-angle illumination is ideally suited for edge detection and for emphasizing incused characters or scratches on metal surfaces.

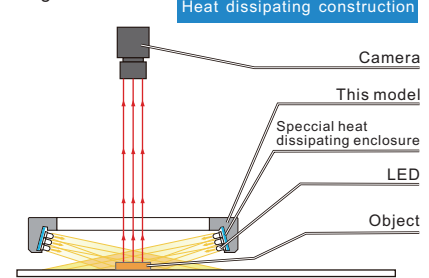


**Low-angle illumination can be used to highlight characteristic features of workpieces**

The RSL-L/RSZ-Z is an ultra-low-angle illumination system with an ultra-thin design of just 10 mm. The thin design means that only minimal space is required for installation. At a working distance from the light of 5 to 10 mm, the system can emphasize edges and height variations when taking photographs.

#### Illumination structure of RSL-132L

A flexible circuit board is fixed at the desired angle to illuminate the workpiece from a low angle.



### Product Lineup Table

Series	Model Name	Color	Power Consumption	Dimension	Series	Model Name	Color	Power Consumption	Dimension
R2L-L	R2L-6000-LR	●	24V/1.04W	1	R2L-L	R2L-14600-LR	●	24V/1.82W	8
	R2L-6000-LG	●	24V/1.6W			R2L-14600-LG	●	24V/2.9W	
	R2L-6000-LB	●				R2L-14600-LB	●		
	R2L-6000-LW	○				R2L-14600-LW	○		
	R2L-6030-LR	●		24V/1.2W		2	R2L-17020-LR		●
	R2L-6030-LG	●	24V/2.16W	R2L-17020-LG			●	24V/13.92W	
	R2L-6030-LB	●		R2L-17020-LB			●		
	R2L-6030-LW	○		R2L-17020-LW			○		
	R2L-7430-LR	●		24V/2.08W		3	R2L-17200-LR		●
	R2L-7430-LG	●	24V/2.6W	R2L-17200-LG			●		
	R2L-7430-LB	●		R2L-17200-LB			●		
	R2L-7430-LW	○		R2L-17200-LW			○		
	R2L-9030-LR	●		24V/3.38W		4	R2L-18030-LR	●	24V/9.62W
	R2L-9030-LG	●	24V/5.3W	R2L-18030-LG			●		
	R2L-9030-LB	●		R2L-18030-LB			●		
	R2L-9030-LW	○		R2L-18030-LW			○		
	R2L-9600-LR	●		24V/1.56W		5	R2L-20820-LR	●	24V/9.12W
	R2L-9600-LG	●	24V/2.4W	R2L-20820-LG			●		
	R2L-9600-LB	●		R2L-20820-LB			●		
	R2L-9600-LW	○		R2L-20820-LW			○		
	R2L-12030-LR	●		24V/5.59W		6	R2L-21300-LR	●	24V/3.38W
	R2L-12030-LG	●	24V/8.6W	R2L-21300-LG			●		
	R2L-12030-LB	●		R2L-21300-LB			●		
	R2L-12030-LW	○		R2L-21300-LW			○		
	R2L-13220-LR	●		24V/5.04W		7	R2L-35030-LR	●	24V/16.8W
	R2L-13220-LG	●	24V/7.92W	R2L-35030-LG			●		
	R2L-13220-LB	●		R2L-35030-LB			●		
	R2L-13220-LW	○		R2L-35030-LW			○		

# Low-angle Ring Lights

## R2L-L Series

### Direct Lighting

- System •
- Optical •
- Motion •
- Vision •**
- Mechanics •
- Index •

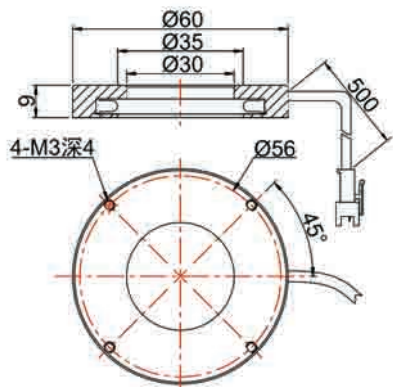
  

- VDM
- Lighting**
- Lens
- Camera

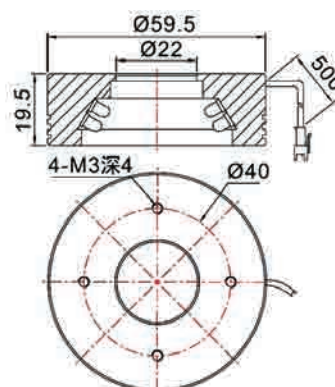
  

- Ring Lights
- Low-angle**
- Bar Lights
- Flat-ring
- Flat Lights
- Dome Lights
- Coaxial Lights
- Spot Lights

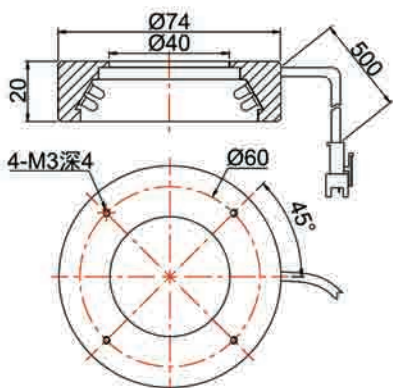
1 R2L-6000-L



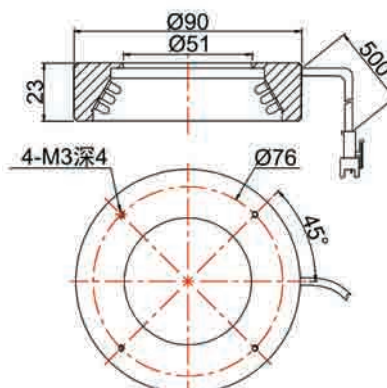
2 R2L-6030-L



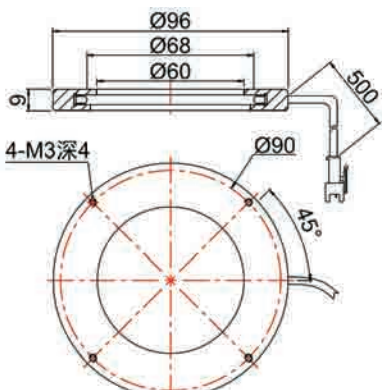
3 R2L-7430-L



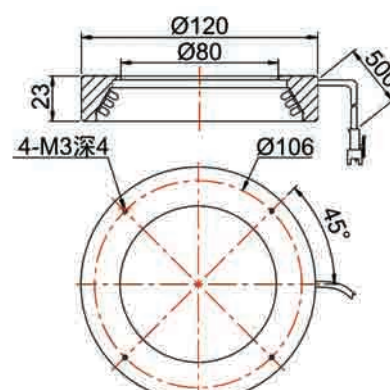
4 R2L-9030-L



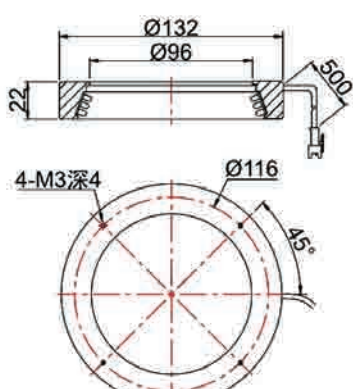
5 R2L-9600-L



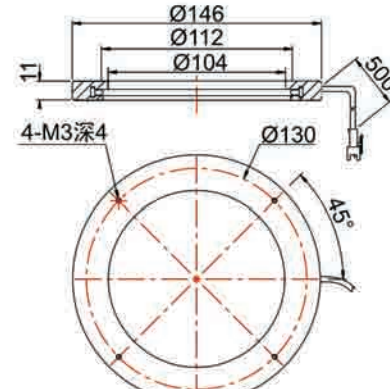
6 R2L-12030-L



7 R2L-13220-L



8 R2L-14600-L



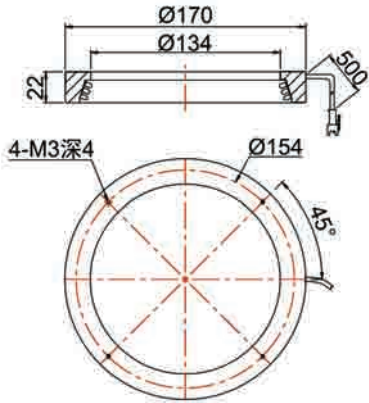
## Low-angle Ring Lights

## R2L-L Series

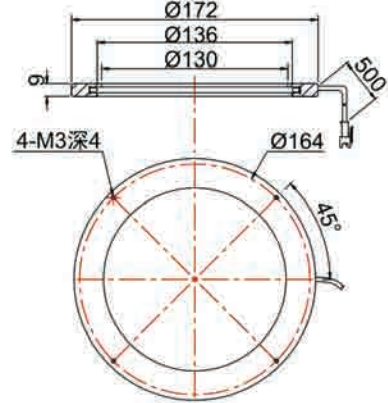
- System
- Optical
- Motion
- Vision
- Mechanics
- Index
- VDM
- Lighting
- Lens
- Camera
- Ring Lights
- Low-angle
- Bar Lights
- Flat-ring
- Flat Lights
- Dome Lights
- Coaxial Lights
- Spot Lights

### Direct Lighting

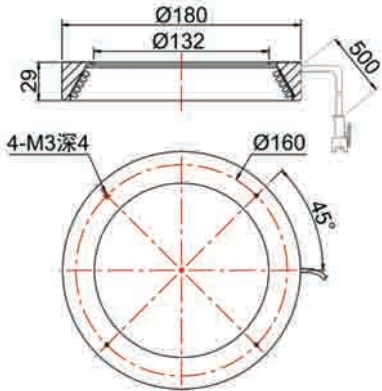
9 R2L-17020-L



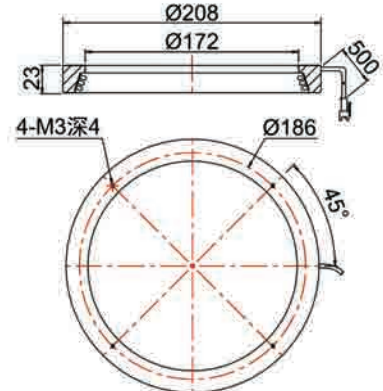
10 R2L-17200-L



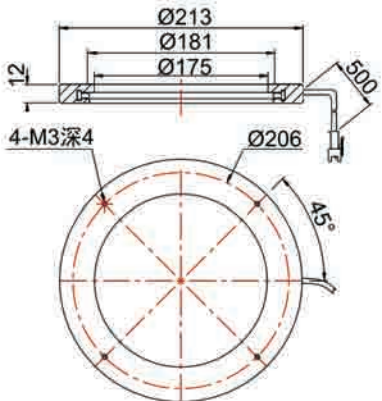
11 R2L-18030-L



12 R2L-20820-L



13 R2L-21300-L



14 R2L-35030-L

