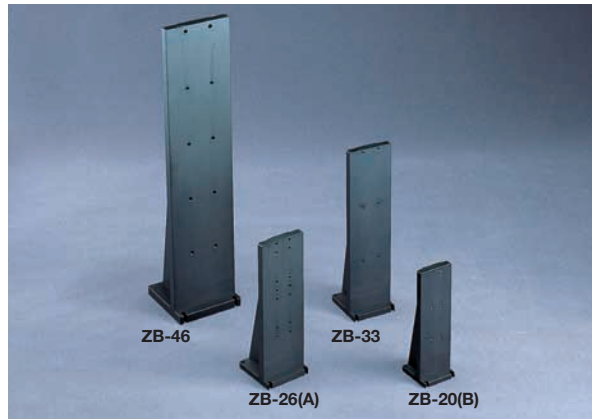


Z axis Bracket

ZB

Mounting brackets used for Z axis of motorized stages.



- Z axis brackets made of hard aluminum alloy.

Guide

- ▶ Contact our International Sales Division regarding brackets for ATMS46-800

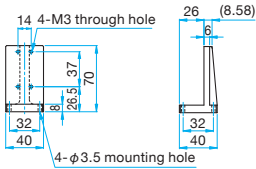
Attention

- ▶ After purchasing an X axis stage, to combine it with a Z axis stage, assembly adjustment cost and performance inspection cost will be charged separately.

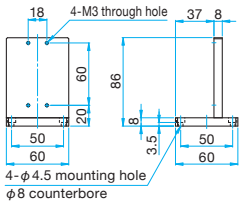


Outline Drawing

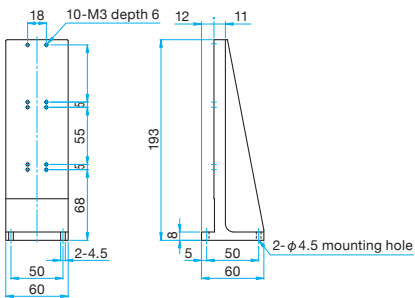
ZB-15 Hexagonal socket head cap screw M3×12...4 screws



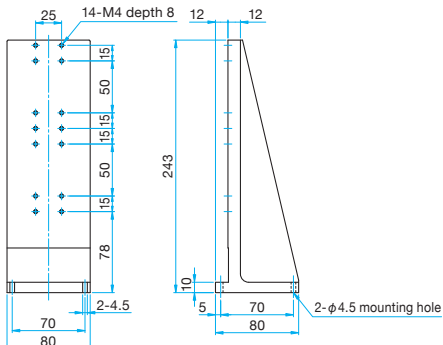
ZB-20(A) Hexagonal socket head cap screw M4×8...4 screws



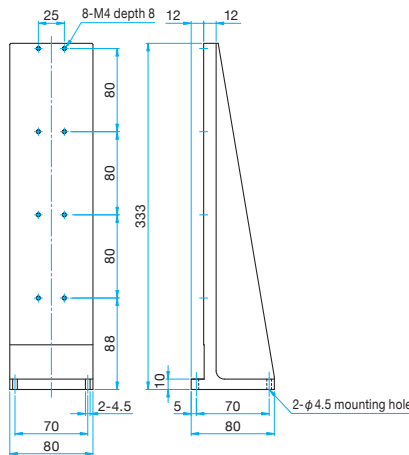
ZB-20(B) Hexagonal socket head cap screw M4×15...4 screws



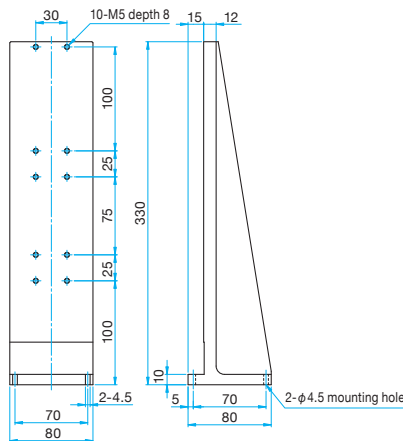
ZB-26(A) Hexagonal socket head cap screw M4×15...4 screws



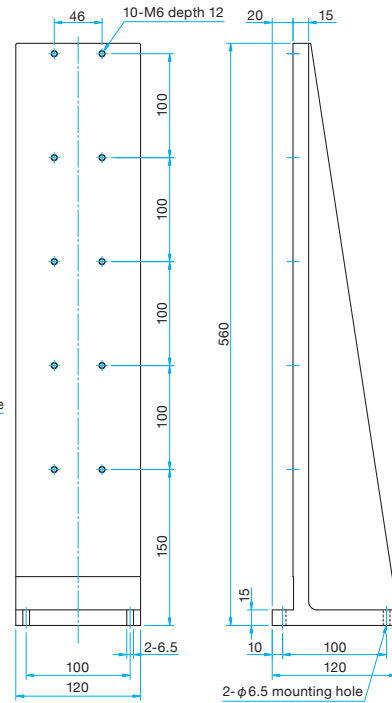
ZB-26(B) Hexagonal socket head cap screw M4×15...4 screws



ZB-33 Hexagonal socket head cap screw M4×15...4 screws



ZB-46 Hexagonal socket head cap screw M6×25...4 screws



Specifications

Primary material: Aluminum
Finish: Black Anodized

Part Number	Compatible Stage
ZB-15	ATMS15 Series
ZB-20(A)	ATMS20-20 Series
ZB-20(B)	ATMS20-35/85 Series, ASMSH20-30/80 Series
ZB-26(A)	ATMS26-50/100/150 Series, ASMSH26-50/100/150 Series
ZB-26(B)	ATMS26-200 Series, ASMSH26-200 Series
ZB-33	ATMS33 Series, ASMS33 Series
ZB-46	ATMS46 Series

Application Systems

Machine Vision

Manual Positions

Motion Control Products

Optical & Mirror Holder

F A Parts

Measurement & Control

FA Electrical Parts

Tool & Measure

Cleanroom & AntiStatic

Index

Piezo Stage

Precision Linear MS

High Speed MS

Motorized Goniometer

Motorized Rotation

Multiaxis Motorized

Industrial Robot

Controller & Driver & Cable

Custom-Built MS