

Plates for Mounting to Standard Optical Breadboards

OBP-US/UL/U

Application Systems

Machine Vision

Manual Positions

Motion Control Products

Optical & Mirror Holder

FA Parts

Measurement & Control

FA Electrical Parts

Tool & Measure

Cleanroom & AntiStatic

Index

Piezo Stage

Precision Linear MS

High Speed MS

Motorized Goniometer

Motorized Rotation

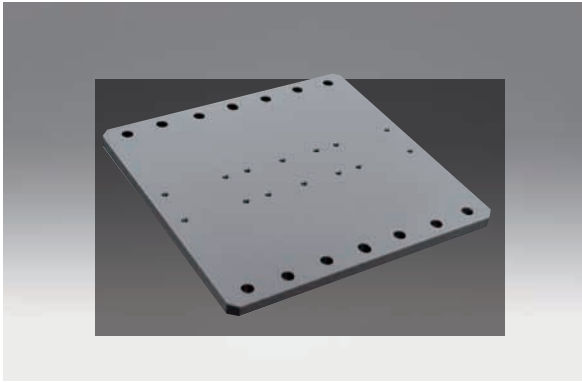
Multiaxis Motorized

Industrial Robot

Controller & Driver & Cable

Custom-Built MS

Plates used for directly fixing ATMS, ASMS and ASMSH series motorized stages to vibration isolators benches, optical breadboards or the like with M6 25x25mm pitch tapped holes.



Guide

► Contact our International Sales Division if you desire to combine products.

Attention

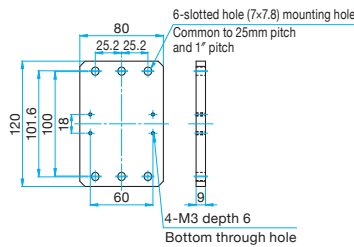
► Contact our International Sales Division regarding ATMS46-400, ATMS46-500, ATMS46-800, ASMSH20-130.



Outline Drawing

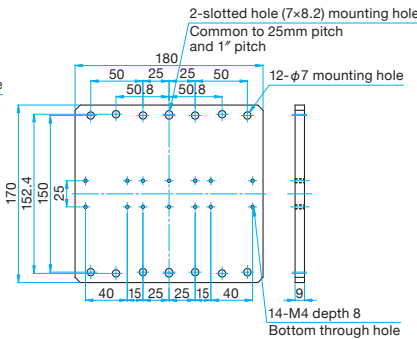
OBP20-US

Hexagon socket head cap screw M6x15...4 screws



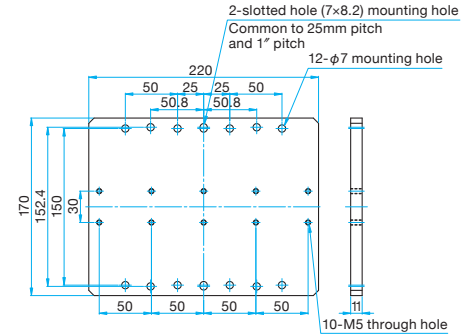
OBP26-US

Hexagon socket head cap screw M6x15...8 screws



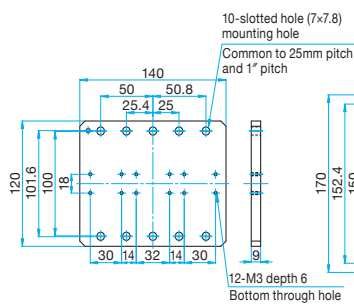
OBP33-U

Hexagon socket head cap screw M6x18...8 screws



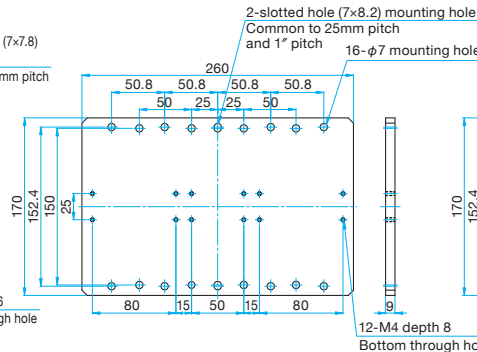
OBP20-UL

Hexagon socket head cap screw M6x15...6 screws



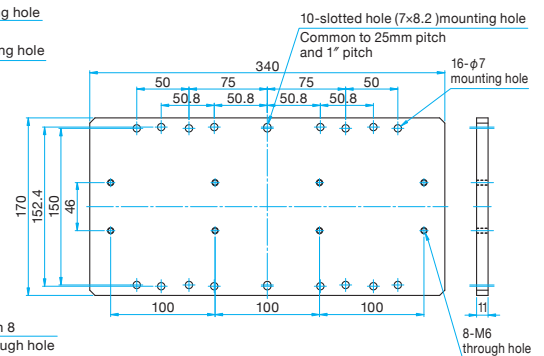
OBP26-UL

Hexagon socket head cap screw M6x15...10 screws



OBP46-US

Hexagon socket head cap screw M6x18...10 screws



Specifications		Primary material: Aluminum Finish: Black Anodized
Part Number	Compatible Stage	Weight [kg]
OBP20-US	ATMS20-20	0.23
OBP20-UL	ATMS20-35, ATMS20-85 ASMSH20-30/80 Series	0.4
OBP26-US	ATMS26-50, ATMS26-100, ATMS26-150 ASMSH26-50/100/150 Series	0.73
OBP26-UL	ATMS26-200, ASMSH26-200	1.05
OBP33-U	ATMS33-50, ATMS33-100, ATMS33-200 ASMS33 Series	1.09
OBP46-US	ATMS46-300	1.7

Mounting Image

