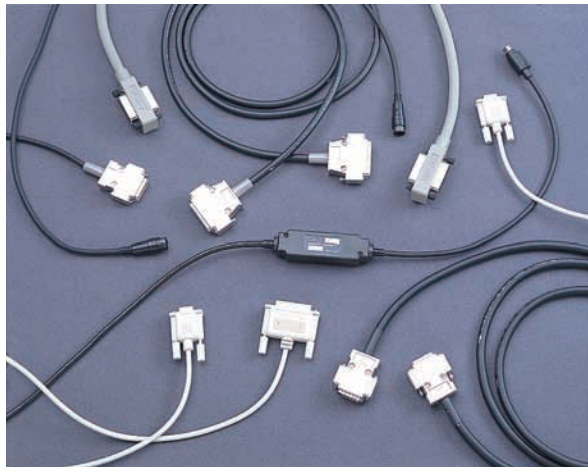
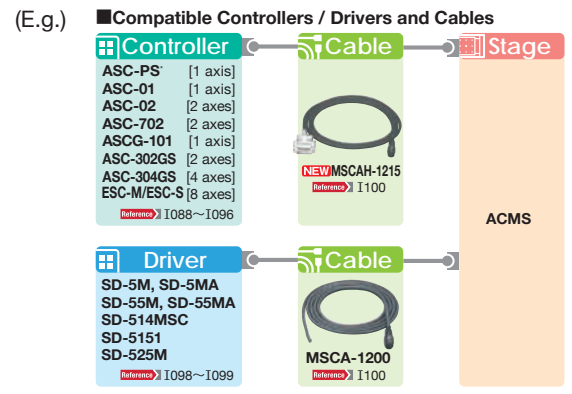


Cables

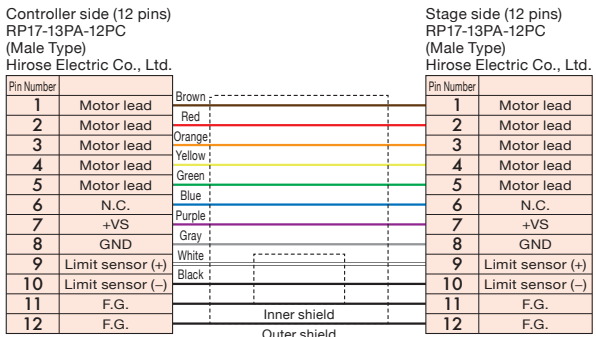
Cables for connecting between motorized stages and controllers or drivers.
Select cables according to control methods or operating environments.



● Refer to compatible controllers/drivers and cables described on the page of each motorized stage.

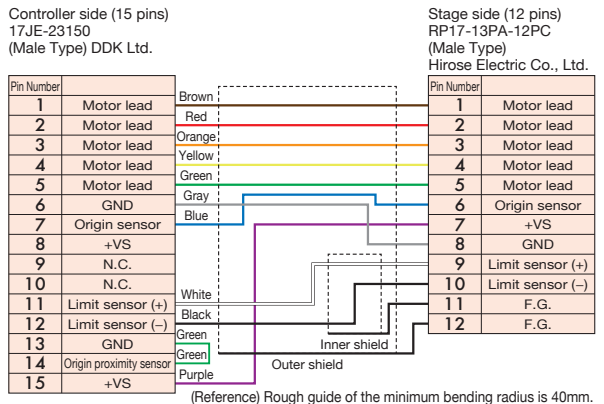


MSCA-1212 / MSCA-1200 Cable



(Reference) Rough guide of the minimum bending radius is 40mm.

MSCAH-1215 Cable



(Reference) Rough guide of the minimum bending radius is 40mm.

Specifications

Part Number	Controller Side	Stage Side	Cable Length [m]
MSCA-1212-1	RP17-13PA-12PC 12pins	RP17-13PA-12PC 12pins	1
MSCA-1212-2	RP17-13PA-12PC 12pins	RP17-13PA-12PC 12pins	2
MSCA-1212-3	RP17-13PA-12PC 12pins	RP17-13PA-12PC 12pins	3
MSCA-1212-4	RP17-13PA-12PC 12pins	RP17-13PA-12PC 12pins	4
MSCA-1212-5	RP17-13PA-12PC 12pins	RP17-13PA-12PC 12pins	5
MSCA-1200-1	Unprocessed	RP17-13PA-12PC 12pins	1
MSCA-1200-2	Unprocessed	RP17-13PA-12PC 12pins	2
MSCA-1200-3	Unprocessed	RP17-13PA-12PC 12pins	3
MSCA-1200-4	Unprocessed	RP17-13PA-12PC 12pins	4
MSCA-1200-5	Unprocessed	RP17-13PA-12PC 12pins	5
NEW MCSAH-1215-1	17JE-23150 male type	RP17-13PA-12PC 12pins	1
NEW MCSAH-1215-2	17JE-23150 male type	RP17-13PA-12PC 12pins	2
NEW MCSAH-1215-3	17JE-23150 male type	RP17-13PA-12PC 12pins	3
NEW MCSAH-1215-4	17JE-23150 male type	RP17-13PA-12PC 12pins	4
NEW MCSAH-1215-5	17JE-23150 male type	RP17-13PA-12PC 12pins	5

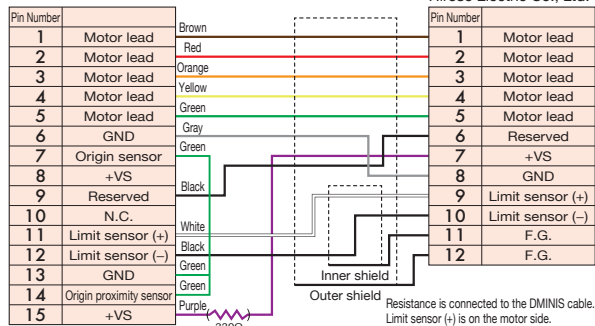
- Application Systems
- Machine Vision
- Manual Positions
- Motion Control Products**
- Optical & Mirror Holder
- FA Parts
- Measurement & Control
- FA Electrical Parts
- Tool & Measure
- Cleanroom & AntiStatic
- Index
- Piezo Stage
- Precision Linear MS
- High Speed MS
- Motorized Goniometer
- Motorized Rotation
- Multiaxis Motorized
- Industrial Robot
- Controller & Driver & Cable**
- Custom-Built MS

Cables

MSCA-1215 Cable

Controller side (15 pins)
 17JE-23150
 (Male Type) DDK Ltd.

Stage side (12 pins)
 RP17-13PA-12PC
 (Male Type)
 Hirose Electric Co., Ltd.

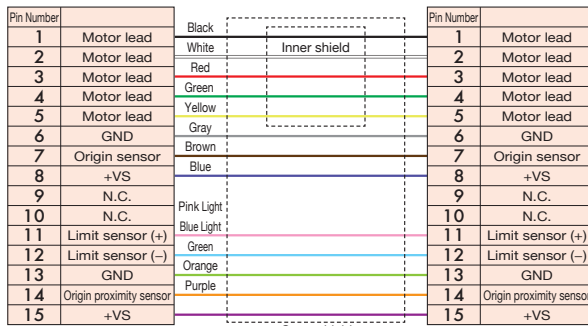


(Reference) Rough guide of the minimum bending radius is 40mm.

MSCA-1515 Cable

Controller side (15 pins)
 17JE-23150
 (Male Type) DDK Ltd.

Stage side (15 pins)
 17JE-13150
 (Female Type) DDK Ltd.

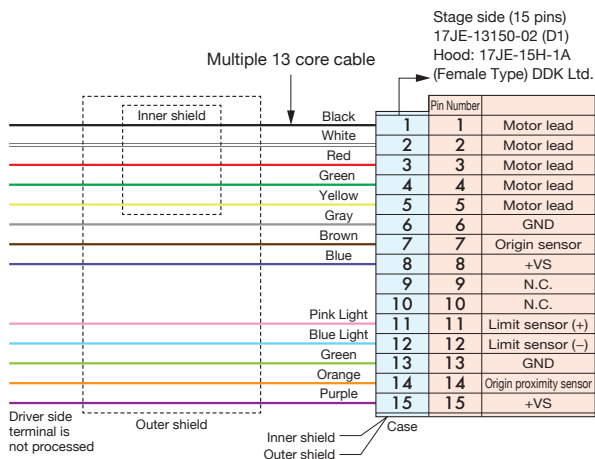


(Reference) Rough guide of the minimum bending radius is 60mm.

Specifications

Part Number	Controller Side	Stage Side	Cable Length [m]
MSCA-1215-1	17JE-23150 male type	RP17-13PA-12PC 12pins	1
MSCA-1215-2	17JE-23150 male type	RP17-13PA-12PC 12pins	2
MSCA-1215-3	17JE-23150 male type	RP17-13PA-12PC 12pins	3
MSCA-1215-4	17JE-23150 male type	RP17-13PA-12PC 12pins	4
MSCA-1215-5	17JE-23150 male type	RP17-13PA-12PC 12pins	5
MSCA-1515-2	17JE-23150 male type	17JE-13150 female type	2
MSCA-1515-3	17JE-23150 male type	17JE-13150 female type	3
MSCA-1515-4	17JE-23150 male type	17JE-13150 female type	4
MSCA-1515-5	17JE-23150 male type	17JE-13150 female type	5

MSCA-1500 Cable

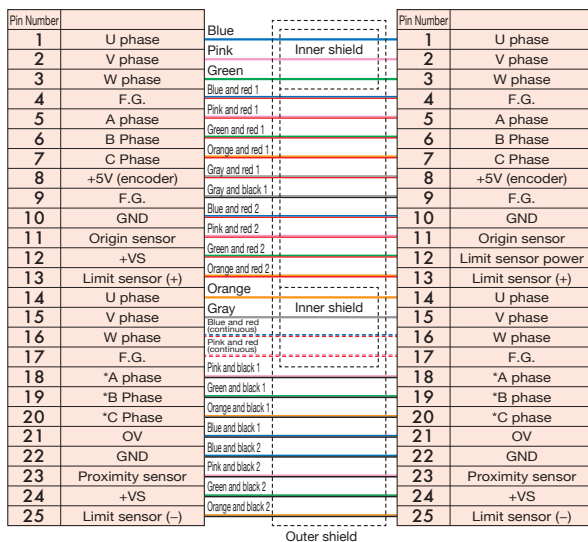


Stage side (15 pins)
 17JE-13150-02 (D1)
 Hood: 17JE-15H-1A
 (Female Type) DDK Ltd.

MSCA-2525 Cable

Controller side (25 pins)
 17JE-23250
 (Male Type) DDK Ltd.

Stage side (25 pins)
 17JE-13250
 (Female Type) DDK Ltd.



Specifications

Part Number	Controller Side	Stage Side	Cable Length [m]
MSCA-1500-2	Unprocessed	17JE-13150 female type	2
MSCA-1500-3	Unprocessed	17JE-13150 female type	3
MSCA-1500-4	Unprocessed	17JE-13150 female type	4
MSCA-1500-5	Unprocessed	17JE-13150 female type	5
MSCA-2525-2	17JE-23250 male type	17JE-13250 female type	2
MSCA-2525-3	17JE-23250 male type	17JE-13250 female type	3
MSCA-2525-4	17JE-23250 male type	17JE-13250 female type	4
MSCA-2525-5	17JE-23250 male type	17JE-13250 female type	5

Application Systems

Machine Vision

Manual Positions

Motion Control Products

Optical & Mirror Holder

F A Parts

Measurement & Control

FA Electrical Parts

Tool & Measure

Cleanroom & AntiStatic

Index

Piezo Stage

Precision Linear MS

High Speed MS

Motorized Goniometer

Motorized Rotation

Multiaxis Motorized

Industrial Robot

Controller & Driver & Cable

Custom-Built MS

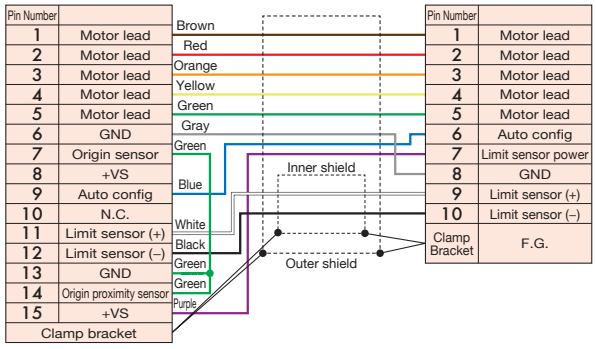
Cables

Cables for precision motorized stages with built in glass-scale encoder.

MSSCA-1510-3 Cable

Controller side (15 pins)
 Connector: 17JE-23150-02(D1)
 Hood: 17JE-15H-1A-CF
 (Male Type) DDK Ltd.

Stage side (10 pins)
 HR10A-10P-10PC(73)
 (Male Type)
 Hirose Electric Co., Ltd.

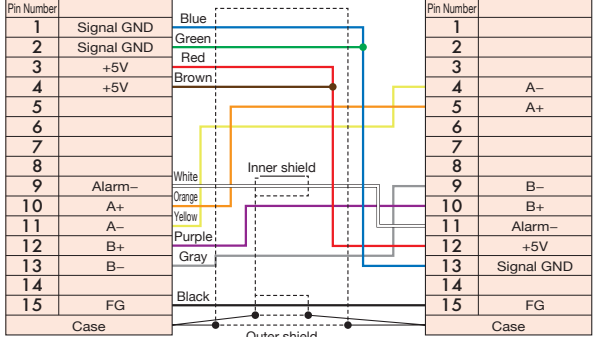


Specifications			
Part Number	Controller Side	Stage Side	Cable Length [m]
MSSCA-1510-3	17JE-23150-02(D1)	HR10A-10P-10PC(73)	3

MSSCA-1515-3 Cable

Controller side (15 pins)
 Connector: D02-M15SG-N-F1
 Hood: DE-C8-J9-F1-1R
 (Male Type)
 Japan Aviation Electronics Industry, Ltd.

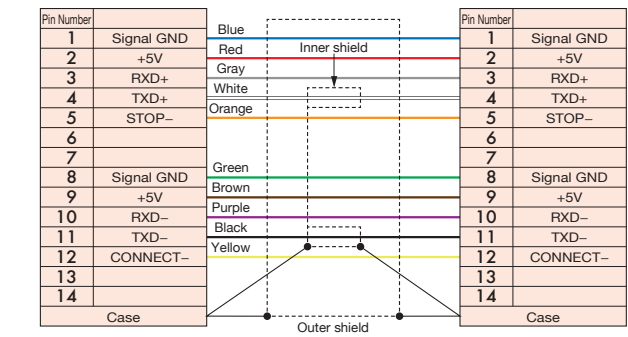
Stage side (15 pins)
 Connector: D02-M15SG-N-FO
 Hood: DE-C8-J9-F1-1R
 (Female Type)
 Japan Aviation Electronics Industry, Ltd.



SJC-CA-2.5 Cable

Controller side (14 pins)
 Connector: 10114-3000PE
 Shell: 10314-52F0-008
 Sumitomo 3M Limited

Stage side (14 pins)
 Connector: 10114-3000PE
 Shell: 10314-52F0-008
 Sumitomo 3M Limited



● The SJC-CA-2.5 cable is for connecting between ASC-302GS/304GS/ASC-702 and SJ-300/SJ-400.

Specifications			
Part Number	Controller Side	JS/JB side	Cable Length [m]
SJC-CA-2.5	10114-3000PE	10114-3000PE	2.5

Specifications			
Part Number	Controller Side	Stage Side	Cable Length [m]
MSSCA-1515-3	D02-M15SG-N-F1	D02-M15SG-N-F0	3
MSSCAF-1515-3	D02-M15SG-N-F1	D02-M15SG-N-F0 (with ferrite core)	3

Other Cables

RS232C Cable



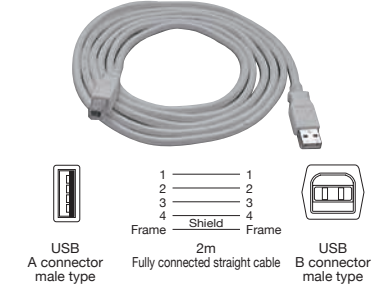
Specifications	
Part Number	Cable Length [m]
RS232C-1.8	1.8
RS232C-3	3
RS232C-4.5	4.5

GPIB Cable



Specifications	
Part Number	Cable Length [m]
GPIB-0.5	0.5
GPIB-1	1
GPIB-2	2
GPIB-3	3
GPIB-4	4

USB Cable



Specifications	
Part Number	Cable Length [m]
USB-1	1
USB-2	2

- Application Systems
- Machine Vision
- Manual Positions
- Motion Control Products
- Optical & Mirror Holder
- FA Parts
- Measurement & Control
- FA Electrical Parts
- Tool & Measure
- Cleanroom & AntiStatic
- Index
- Piezo Stage
- Precision Linear MS
- High Speed MS
- Motorized Goniometer
- Motorized Rotation
- Multiaxis Motorized
- Industrial Robot
- Controller & Driver & Cable
- Custom-Built MS