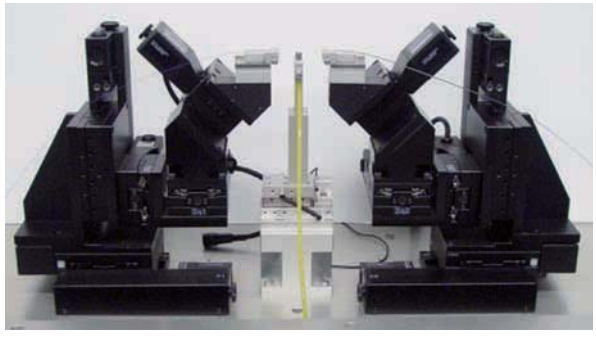


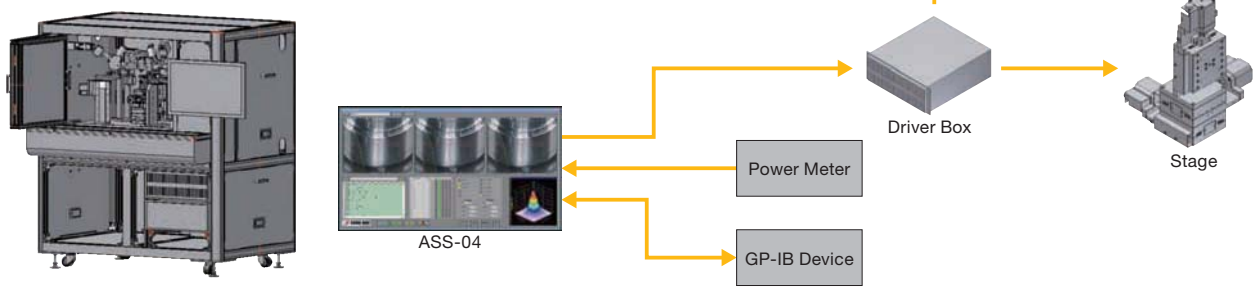
Fiber Alignment System

Combining a large selection of standard hardware components with a customizable software platform, custom alignment systems can be created quickly and cost effectively for a large variety of applications.

Automated Optical Fiber Alignment System

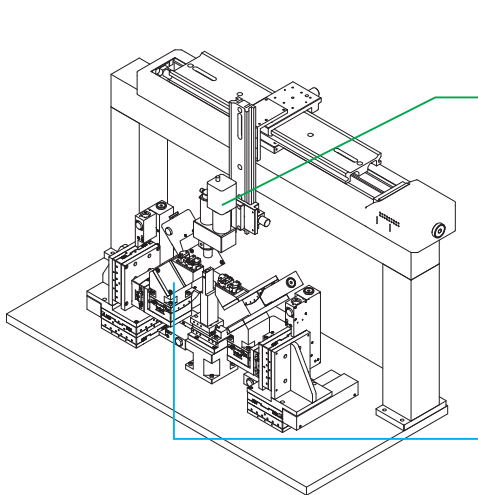


- Using various standard commands easily enables the creation and change of control programs optimally for the user's alignment process.
- Changes to pieces can be flexibly supported.
- A system can be easily constructed by combining GP-IB and I/O devices.
- Data from GP-IB devices can be used for controlling the alignment process.



Software	
Part Number	FASA-04
Number of Axis	Extensible up to 32 axis
Program Position Resolution	25nm
Adaptable Motor Type	Stepping motor / Servo motor
Operating Commands	More than 91 different commands available
Programmable Step Sequence	1000 steps per 1 program.
Linear Interpolation	Available in arbitrary 2 or 3 axis
Circular Interpolation	Available in arbitrary 2 axis
Interface	GP-IB
A/D Data Input	16CH

12-axis fiber alignment stage unit



Device Holders

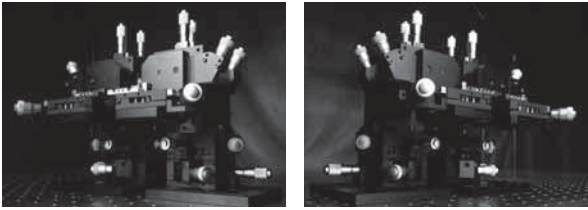
- Fiber Optic Holder**
 - Holds a bare fiber. Three different standard holders are available for different cladding and jacket diameter. An outer jacket or sheath holder can be also attached if required.
- Ferrule Holder**
 - Holds a bare fiber. Three different standard holders are available for different cladding and jacket diameter. An outer jacket or sheath holder can be also attached if required.
- FC Connector Holder**
 - Holds an FC type connector-attached optical fiber.
 - An outer jacket or sheath holder can be also attached if required.
- Rotation Fiber Holder**
 - Holds and rotates a bare polarization preserving fiber.
 - Standard configurations are for jacket diameters of 250µm and 900µm.

- Application Systems
- Machine Vision
- Manual Positions
- Motion Control Products
- Optical & Mirror Holder
- F A Parts
- Measurement & Control
- FA Electrical Parts
- Tool & Measure
- Cleanroom & AntiStatic
- Index
- X Axis
- XY Axis
- Z Axis
- XZ Axis
- XYZ Axis
- Rotation
- Goniometers /Tilt
- Multiaxis

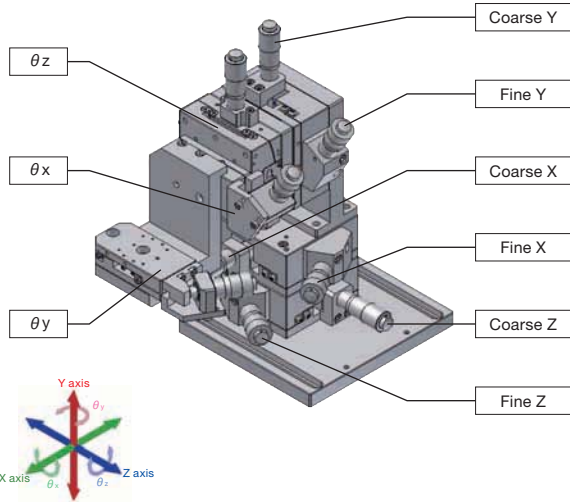
Linear Guide

Fiber Alignment System

Manual Optical Fiber Alignment Systems



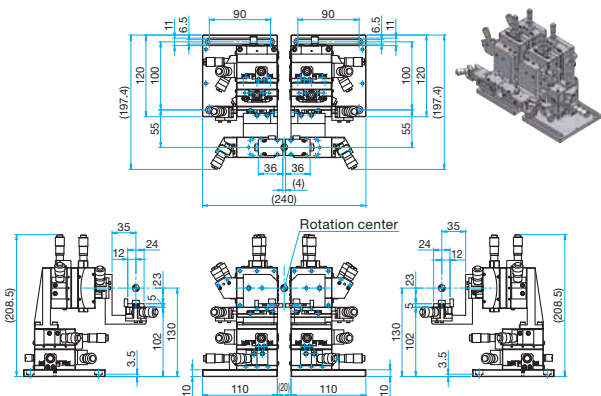
- Manual Coupling unit for Fiber Alignment
- Assembly of high resolution tilt stage and new feature XYZ stage
- Performance-proven TSD series guide is adopted
- Device holders adopted magnetic feature are assured of simple and firm attachment/detachment
- Expansion in application can be made by switching holder when device has been changed.



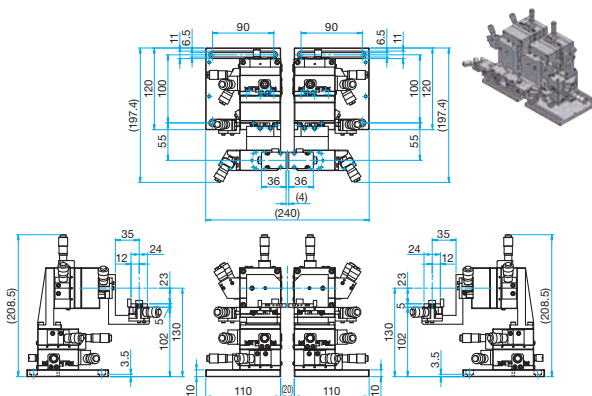
Manual Fiber Alignment Stage Unit

	Part Number		X	Y	Z	θ_x	θ_y	θ_z	
12-axis (6-axis)	FASM-080M-L FASM-080M-R	Travel	±6.5mm	±6.5mm	±6.5mm	±2.5°	±2.5°	±5°	
		Resolution	Coarse	0.01mm	0.01mm	0.01mm	about 27.8	about 27.8	about 26.8
			Fine	0.0005mm	0.0005mm	0.0005mm			
10-axis (5-axis)	FASM-070M-L FASM-070M-R	Travel	±6.5mm	±6.5mm	±6.5mm	±2.5°	±2.5°	—	
		Resolution	Coarse	0.01mm	0.01mm	0.01mm	about 27.8	about 27.8	—
			Fine	0.0005mm	0.0005mm	0.0005mm			
8-axis (4-axis)	FASM-060M-L FASM-060M-R	Travel	±6.5mm	±6.5mm	±6.5mm	—	—	±5°	
		Resolution	Coarse	0.01mm	0.01mm	0.01mm	—	—	about 26.8
			Fine	0.0005mm	0.0005mm	0.0005mm			
6-axis (3-axis)	FASM-050M-L FASM-050M-R	Travel	±6.5mm	±6.5mm	±6.5mm	—	—	—	
		Resolution	Coarse	0.01mm	0.01mm	0.01mm	—	—	—
			Fine	0.0005mm	0.0005mm	0.0005mm			

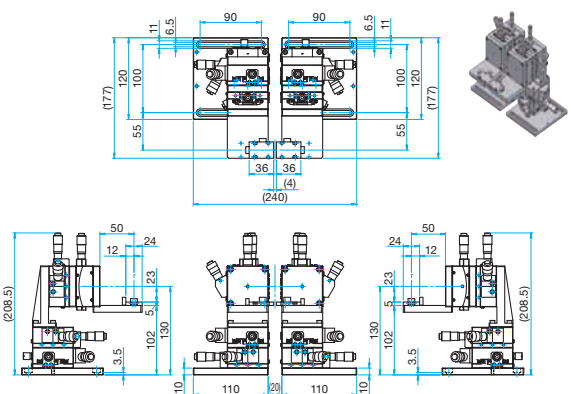
Manual 12-axis fiber alignment stage unit



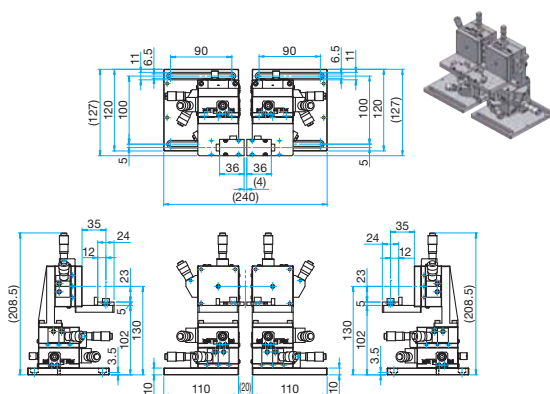
Manual 10-axis fiber alignment stage unit



Manual 8-axis fiber alignment stage unit



Manual 6-axis fiber alignment stage unit



Application Systems

Machine Vision

Manual Positions

Motion Control Products

Optical & Mirror Holder

F A Parts

Measurement & Control

FA Electrical Parts

Tool & Measure

Cleanroom & AntiStatic

Index

X Axis

XY Axis

Z Axis

XZ Axis

XYZ Axis

Rotation

Goniometers /Tilt

Multiaxis

Linear Guide