

Low profile rotation stages offer coarse rotation adjustment of 360° and fine adjustment (with either a micrometer head or fine-pitch screw).

Directly rotate the stage upper plate for coarse adjustment, then clamp the clutch screw and use micrometer head or fine-pitch screw ($\pm 5^\circ$) for fine adjustment.

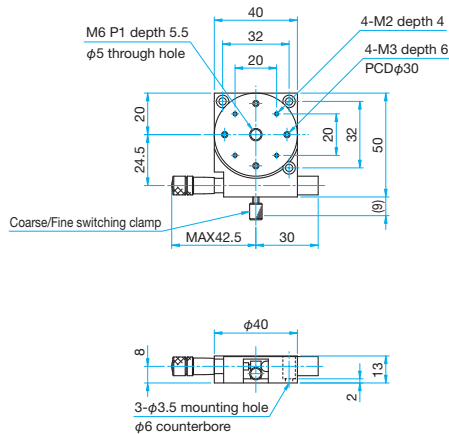


- Designed for use in hard vacuum applications, Both the stage and micrometer are made from stainless steel and come with high grade vacuum grease.

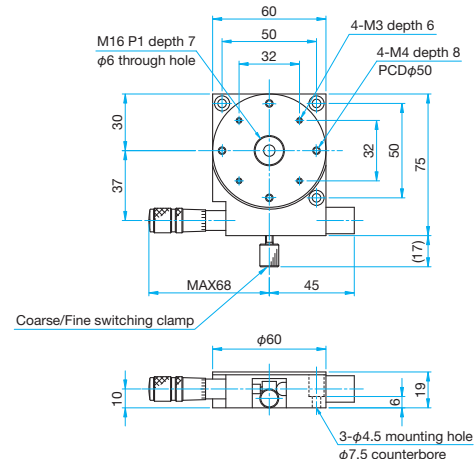


Outline Drawing

KSPS-406M Hexagon socket head cap screw (stainless steel construction)
M3x6...3 screws



KSPS-606M Hexagon socket head cap screw (stainless steel construction)
M4x10...3 screws



Specifications

Part Number	METRIC	KSPS-406M	KSPS-606M
Stage Size [mm]		φ40.0	φ60.0
Angle of Rotation [°]		Coars: 360° Fine: $\pm 5^\circ$	Coars: 360° Fine: $\pm 5^\circ$
Micrometer Position		Center	Side
Scale Readable Resolution		2°	1°
Micrometer Readable Resolution		$\approx 1'24.2''$	$\approx 55.8''$
Guide Method		Lapping method	
Primary Material		Stainless steel	
Finish		None	
Load Capacity [N]		49 (5.0kgf)	68.6 (7.0kgf)
Max. Moment Capacity [N·m]		0.3	0.75
Moment Stiffness ["/N·m]		1.5	1
Parallelism [μm]		30	50
Eccentricity [μm]		20	20
Wobble [μm]		20	20
Weight [kg]		0.3	0.6

Application Systems

Optics & Optical Coatings

Opto-Mechanics

Bases

Manual Stages

Actuators & Adjusters

Motorized Stages

Light Sources & Laser Safety

Index

Guide

X Axis Stages

XY Axis Stages

Z Axis Stages

XZ Axis Stages

XYZ Axis Stages

Rotation Stages

Goniometer

Tilt Stages

Vacuum

Ball Bearing Guide

Crossed Roller

Dovetail

Lapping

V Groove Screw

Others

15 × 15 mm

25 × 25 mm

40 × 40 mm

60 × 60 mm

65 × 65 mm

80 × 80 mm

100 × 100 mm

120 × 120 mm

Others