

# Compact Motorized ND Filter Holder

OSMS-60-ND

RoHS

Catalog code

W4153

Automatically rotating the variable reflective ND filter (VND-100 or VND-100U).

Utilizing our OSMS-60YAW motorized rotation stage to realize high accuracy rotation alignment.



- Shipped with preinstalled variable reflective ND filter (VND-100 or VND-100U).
- Can be operated with our controller (see below the table)

## Guide

- ▶ To secure the optics, a retaining ring spanner is required.
- ▶ Please contact us for installation onto other automatic rotation stages.

## Specifications

Part Number	OSMS-60-ND	OSMS-60-NDU
JP Yen [¥]	185,500	205,500
Preinstalled ND Filter	Variable Reflective ND Filter VND-100 (BK7)	Variable Reflective ND Filter VND-100U (Synthetic fused silica)
Wavelength Range	Visible · Near-infrared	UV · Near-infrared
Weight [kg]	0.64	0.64

## Compatible Controller / Cable

Compatible Controller: GSC-01, GSC-02, SHOT-702, GIP-101, SHOT-302GS, SHOT-304GS, HIT-M · HIT-S, PGC-04-U, HSC-103

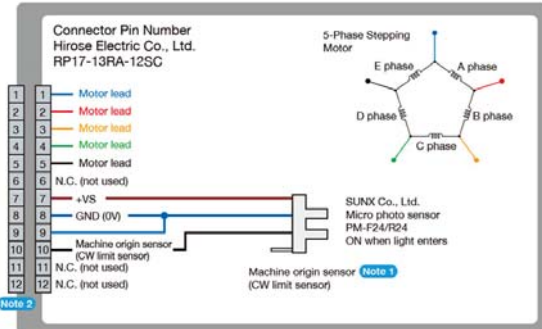
Compatible Cable: D15RP-CA

## OSMS-60YAW Specifications

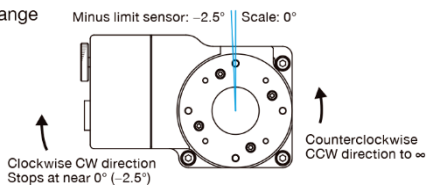
Rotation Range	Move in the counterclockwise CCW direction to $\infty$ , and stop at near 0 degree ( $-2.5^\circ$ ) in the clockwise CW direction.
Resolution [°/pulse]	(Full)0.005° (Half)0.0025°
MAX Speed [°/sec]	30

- Please check our website for details about OSMS-60YAW.

Catalog code W9027



## ▶ Rotation Range



## Outline Drawing

### OSMS-60-ND/OSMS-60-NDU

