

X Axis Aluminum Translation Stages

XY Axis Aluminum Translation Stages

TADC-251

Stage Size 25 x 25 mm

RoHS

TADC-252W

Application Systems

Optics & Optical Coatings

Opto-Mechanics

Bases

Manual Stages

Actuators & Adjusters

Motorized Stages

Light Sources & Laser Safety

Index

Guide

X Axis Stages

XY Axis Stages

Z Axis Stages

XZ Axis Stages

XYZ Axis Stages

Rotation Stages

Goniometer

Tilt Stages

Vacuum

Ball Bearing Guide

Crossed Roller

Dovetail

Lapping

V Groove Screw

Others

15 x 15 mm

25 x 25 mm

40 x 40 mm

60 x 60 mm

65 x 65 mm

80 x 80 mm

100 x 100 mm

120 x 120 mm

Others

Aluminum translation stage with high stiffness bearing ways. Cost effective and light weight.

- Unique steel bearing ways with 4-point extended contact yield stable load capacity in all directions.
- Long life, maintenance free.



Attention

- ▶ Micrometer brackets may extend above the top surface of some stages. Check drawings for more information.

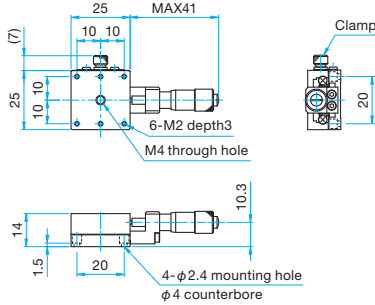
Specifications					
Part Number		TADC-251C	TADC-251S	TADC-252WC	TADC-252WS
(Opposite Model)		—	TADC-251SR	—	TADC-252WSR
Stage Size [mm]		25x25	25x25	25x25	25x25
Axes of Travel		X axis		XY axis	
Micrometer Position		Center	Side	Center	Side
Travel [mm]		±3	±3	±3	±3
Lead of Actuator [mm/rotation]		0.5	0.5	0.5	0.5
Micrometer Readable Resolution [mm]		0.01	0.01	0.01	0.01
Guide Method		Extended contact ball bearing guide			
Primary Material		Aluminum			
Finish		Black anodized			
Load Capacity [N]		39.2 (4.0kgf)	39.2 (4.0kgf)	39.2 (4.0kgf)	39.2 (4.0kgf)
Travel Accuracy	Straightness [μm]	3	3	3	3
	Pitch [N·m]	2	2	1.9	1.9
	Roll [N·m]	1.9	1.9	1.9	1.9
Max. Moment Capacity	Yaw [N·m]	1.9	1.9	1.9	1.9
	Pitch [°/N·cm]	2.5	2.5	4.5	4.5
Moment Stiffness	Roll [°/N·cm]	2.5	2.5	4.5	4.5
	Parallelism [μm]	30	30	60	60
Running Parallelism [μm]		10	10	20	20
Orthogonality [μm]		—	—	10	10
Weight [kg]		0.05	0.05	0.1	0.1



Outline Drawing

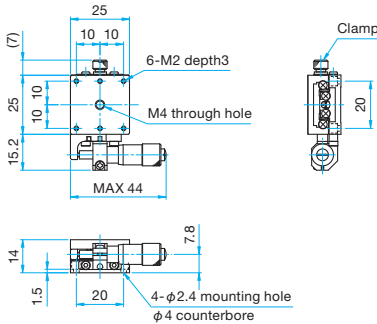
TADC-251C

Hexagon socket head cap screw (stainless steel construction) M2x4...4 screws



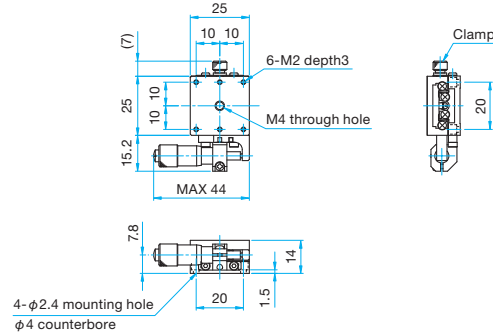
TADC-251S

Hexagon socket head cap screw (stainless steel construction) M2x4...4 screws



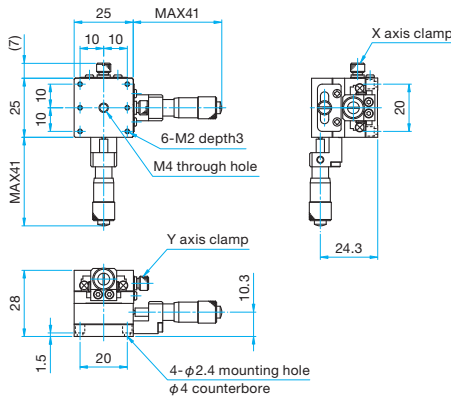
TADC-251SR

Hexagon socket head cap screw (stainless steel construction) M2x4...4 screws



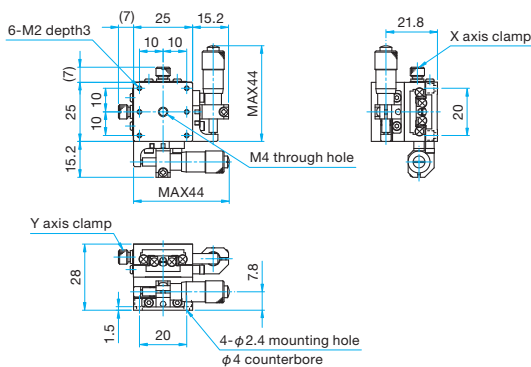
TADC-252WC

Hexagon socket head cap screw (stainless steel construction) M2x4...4 screws



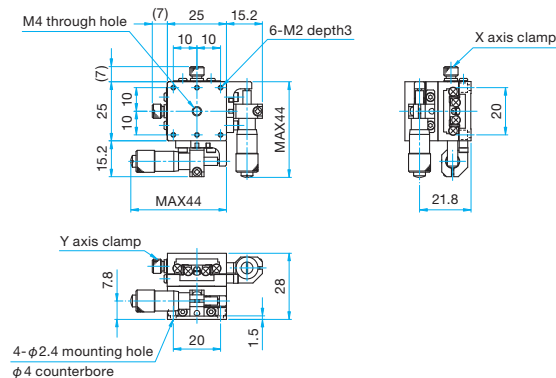
TADC-252WS

Hexagon socket head cap screw (stainless steel construction) M2x4...4 screws



TADC-252WSR

Hexagon socket head cap screw (stainless steel construction) M2x4...4 screws



Application Systems

Optics & Optical Coatings

Opto-Mechanics

Bases

Manual Stages

Actuators & Adjusters

MotORIZED Stages

Light Sources & Laser Safety

Index

Guide

X Axis Stages

XY Axis Stages

Z Axis Stages

XZ Axis Stages

XYZ Axis Stages

Rotation Stages

Goniometer

Tilt Stages

Vacuum

Ball Bearing Guide

Crossed Roller

Dovetail

Lapping

V Groove Screw

Others

15 x 15 mm

25 x 25 mm

40 x 40 mm

60 x 60 mm

65 x 65 mm

80 x 80 mm

100 x 100 mm

120 x 120 mm

Others

X Axis Aluminum Translation Stages

XY Axis Aluminum Translation Stages

TADC-401

Stage Size 40 x 40 mm

RoHS

TADC-402W

Aluminum translation stage with high stiffness bearing ways. Cost effective and light weight.

- Unique steel bearing ways with 4-point extended contact yield stable load capacity in all directions.
- Long life, maintenance free.



Attention

- ▶ Micrometer brackets may extend above the top surface of some stages. Check drawings for more information.

Application Systems

Optics & Optical Coatings

Opto-Mechanics

Bases

Manual Stages

Actuators & Adjusters

Motorized Stages

Light Sources & Laser Safety

Index

Guide

X Axis Stages

XY Axis Stages

Z Axis Stages

XZ Axis Stages

XYZ Axis Stages

Rotation Stages

Goniometer

Tilt Stages

Vacuum

Ball Bearing Guide

Crossed Roller

Dovetail

Lapping

V Groove Screw

Others

15 x 15 mm

25 x 25 mm

40 x 40 mm

60 x 60 mm

65 x 65 mm

80 x 80 mm

100 x 100 mm

120 x 120 mm

Others

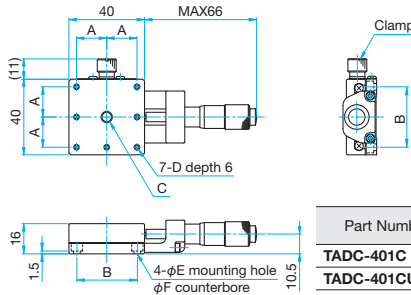
Specifications					
Part Number	METRIC	TADC-401C	TADC-401S	TADC-402WC	TADC-402WS
	INCH	TADC-401CUU	TADC-401SUU	TADC-402WCUU	TADC-402WSUU
(Opposite Model)	METRIC	—	TADC-401SR	—	TADC-402WSR
	INCH	—	TADC-401SRUU	—	TADC-402WSRUU
Stage Size [mm]		40x40	40x40	40x40	40x40
Axes of Travel		X axis		XY axis	
Micrometer Position		Center	Side	Center	Side
Travel [mm]		±6.5	±6.5	±6.5	±6.5
Lead of Actuator [mm/rotation]		0.5	0.5	0.5	0.5
Micrometer Readable Resolution [mm]		0.01	0.01	0.01	0.01
Guide Method		Extended contact ball bearing guide			
Primary Material		Aluminum			
Finish		Black anodized			
Load Capacity [N]		49 (5.0kgf)	49 (5.0kgf)	49 (5.0kgf)	49 (5.0kgf)
Travel Accuracy	Straightness [μm]	3	3	3	3
	Pitch [N·m]	2.5	2.5	2.5	2.5
	Roll [N·m]	3	3	2.5	2.5
Max. Moment Capacity	Yaw [N·m]	2.5	2.5	2.5	2.5
	Pitch [°/N·cm]	0.66	0.66	1.22	1.22
Moment Stiffness	Roll [°/N·cm]	0.36	0.36	1.22	1.22
	Parallelism [μm]	30	30	50	50
Running Parallelism [μm]		10	10	20	20
Orthogonality [μm]		—	—	10	10
Weight [kg]		0.15	0.15	0.3	0.3



Outline Drawing

TADC-401C/401CUU

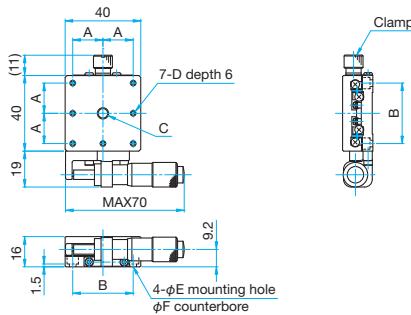
Hexagon socket head cap screw (stainless steel construction) M3x6...4 screws, Spring washers
Hexagon socket head cap screw (stainless steel construction) 6-32UNCx1/4...4 screws (UU)



Part Number	A (mm)	B (mm)	C	D	E (mm)	F (mm)
TADC-401C	16	32	M6 P1 depth 5	M3	3.5	6
TADC-401CUU	15.875	31.75	1/4-20UNC depth 5	6-32UNC	4	6.5

TADC-401S/401SUU

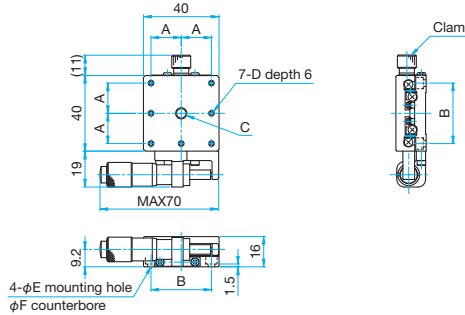
Hexagon socket head cap screw (stainless steel construction) M3x6...4 screws, Spring washers
Hexagon socket head cap screw (stainless steel construction) 6-32UNCx1/4...4 screws (UU)



Part Number	A (mm)	B (mm)	C	D	E (mm)	F (mm)
TADC-401S	16	32	M6 P1 depth 5	M3	3.5	6
TADC-401SUU	15.875	31.75	1/4-20UNC depth 5	6-32UNC	4	6.5

TADC-401SR/401SRUU

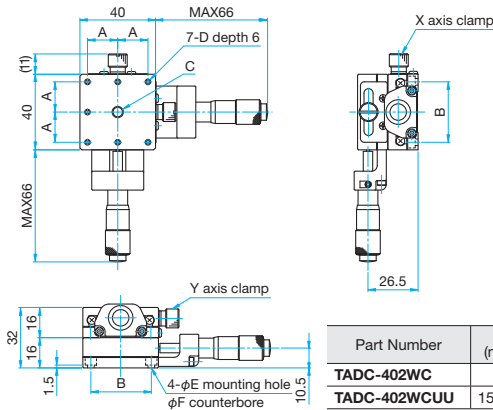
Hexagon socket head cap screw (stainless steel construction) M3x6...4 screws, Spring washers
Hexagon socket head cap screw (stainless steel construction) 6-32UNCx1/4...4 screws (UU)



Part Number	A (mm)	B (mm)	C	D	E (mm)	F (mm)
TADC-401SR	16	32	M6 P1 depth 5	M3	3.5	6
TADC-401SRUU	15.875	31.75	1/4-20UNC depth 5	6-32UNC	4	6.5

TADC-402WC/402WCUU

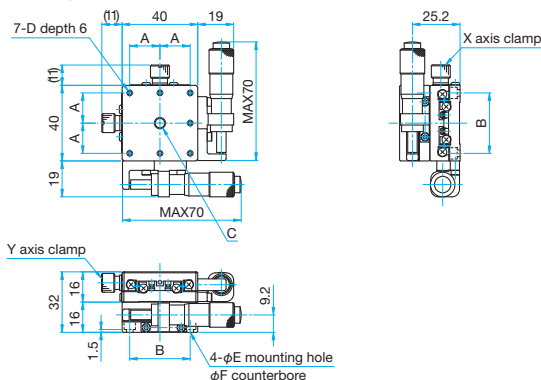
Hexagon socket head cap screw (stainless steel construction) M3x6...4 screws, Spring washers
Hexagon socket head cap screw (stainless steel construction) 6-32UNCx1/4...4 screws (UU)



Part Number	A (mm)	B (mm)	C	D	E (mm)	F (mm)
TADC-402WC	16	32	M6 P1 depth 5	M3	3.5	6
TADC-402WCUU	15.875	31.75	1/4-20UNC depth 5	6-32UNC	4	6.5

TADC-402WS/402WSUU

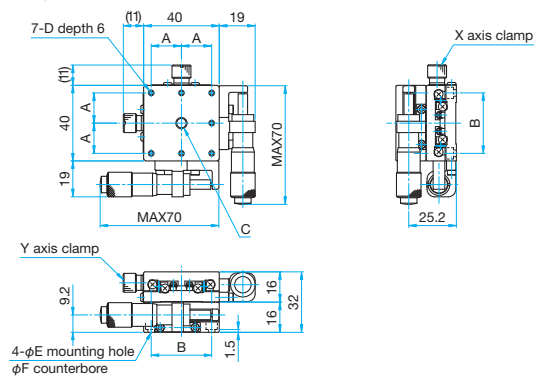
Hexagon socket head cap screw (stainless steel construction) M3x6...4 screws, Spring washers
Hexagon socket head cap screw (stainless steel construction) 6-32UNCx1/4...4 screws (UU)



Part Number	A (mm)	B (mm)	C	D	E (mm)	F (mm)
TADC-402WS	16	32	M6 P1 depth 5	M3	3.5	6
TADC-402WSUU	15.875	31.75	1/4-20UNC depth 5	6-32UNC	4	6.5

TADC-402WSR/402WSRUU

Hexagon socket head cap screw (stainless steel construction) M3x6...4 screws, Spring washers
Hexagon socket head cap screw (stainless steel construction) 6-32UNCx1/4...4 screws (UU)



Part Number	A (mm)	B (mm)	C	D	E (mm)	F (mm)
TADC-402WSR	16	32	M6 P1 depth 5	M3	3.5	6
TADC-402WSRUU	15.875	31.75	1/4-20UNC depth 5	6-32UNC	4	6.5

Application Systems

Optics & Optical Coatings

Opto-Mechanics

Bases

Manual Stages

Actuators & Adjusters

MotORIZED Stages

Light Sources & Laser Safety

Index

Guide

X Axis Stages

XY Axis Stages

Z Axis Stages

XZ Axis Stages

XYZ Axis Stages

Rotation Stages

Goniometer

Tilt Stages

Vacuum

Ball Bearing Guide

Crossed Roller

Dovetail

Lapping

V Groove Screw

Others

15 x 15 mm

25 x 25 mm

40 x 40 mm

60 x 60 mm

65 x 65 mm

80 x 80 mm

100 x 100 mm

120 x 120 mm

Others

X Axis Aluminum Translation Stages

XY Axis Aluminum Translation Stages

TADC-601

Stage Size 60 × 60 mm

RoHS

TADC-602W

Aluminum translation stage with high stiffness bearing ways. Cost effective and light weight.

- Unique steel bearing ways with 4-point extended contact yield stable load capacity in all directions.
- Long life, maintenance free.



Attention

- Micrometer brackets may extend above the top surface of some stages. Check drawings for more information.

Application Systems

Optics & Optical Coatings

Opto-Mechanics

Bases

Manual Stages

Actuators & Adjusters

Motorized Stages

Light Sources & Laser Safety

Index

Guide

X Axis Stages

XY Axis Stages

Z Axis Stages

XZ Axis Stages

XYZ Axis Stages

Rotation Stages

Goniometer

Tilt Stages

Vacuum

Ball Bearing Guide

Crossed Roller

Dovetail

Lapping

V Groove Screw

Others

15 × 15 mm

25 × 25 mm

40 × 40 mm

60 × 60 mm

65 × 65 mm

80 × 80 mm

100 × 100 mm

120 × 120 mm

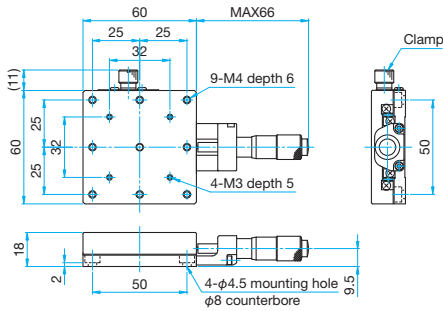
Others

Specifications					
Part Number	METRIC	TADC-601C	TADC-601S	TADC-602WC	TADC-602WS
(Opposite Model)	METRIC	—	TADC-601SR	—	TADC-602WSR
Stage Size [mm]		60×60	60×60	60×60	60×60
Axes of Travel		X axis		XY axis	
Micrometer Position		Center	Side	Center	Side
Travel [mm]		±6.5	±6.5	±6.5	±6.5
Lead of Actuator [mm/rotation]		0.5	0.5	0.5	0.5
Micrometer Readable Resolution [mm]		0.01	0.01	0.01	0.01
Guide Method		Extended contact ball bearing guide			
Primary Material		Aluminum			
Finish		Black anodized			
Load Capacity [N]		196 (20.0kgf)	196 (20.0kgf)	196 (20.0kgf)	196 (20.0kgf)
Travel Accuracy	Straightness [μm]	3	3	3	3
	Pitch [N·m]	4.9	4.9	4.9	4.9
	Roll [N·m]	4.9	4.9	4.9	4.9
Max. Moment Capacity	Yaw [N·m]	4.9	4.9	4.9	4.9
	Pitch [°/N·cm]	0.3	0.3	0.6	0.6
Moment Stiffness	Roll [°/N·cm]	0.25	0.25	0.6	0.6
	Parallelism [μm]	30	30	50	50
Running Parallelism [μm]		10	10	20	20
Orthogonality [μm]		—	—	10	10
Weight [kg]		0.2	0.2	0.4	0.4

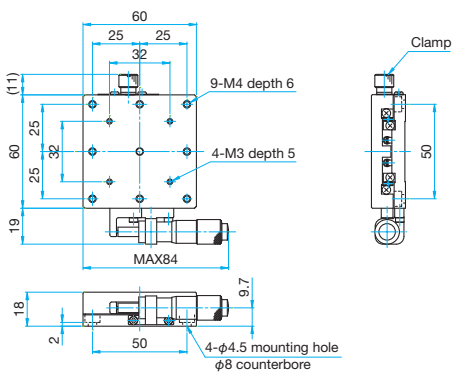


Outline Drawing

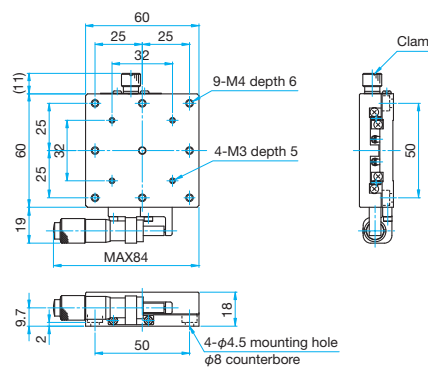
TADC-601C Hexagon socket head cap screw (stainless steel construction) M4x6...4 screws



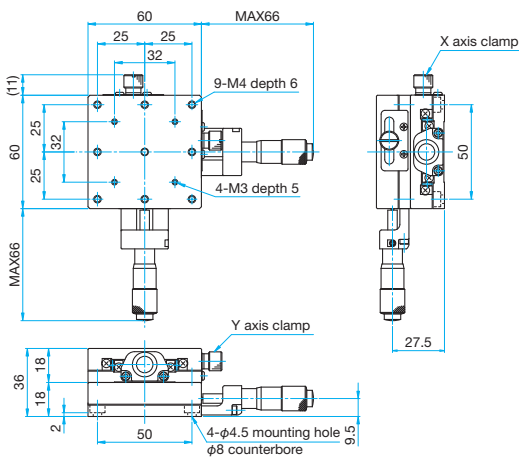
TADC-601S Hexagon socket head cap screw (stainless steel construction) M4x6...4 screws



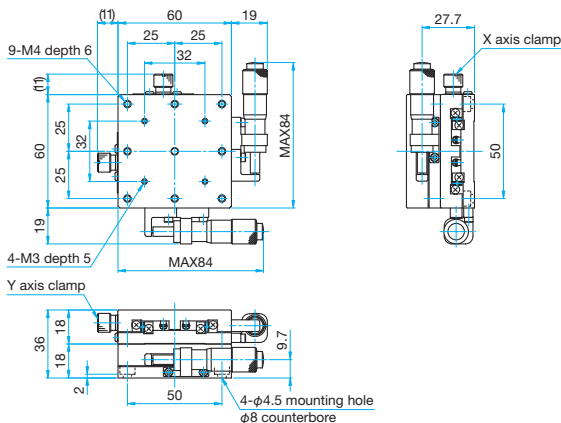
TADC-601SR Hexagon socket head cap screw (stainless steel construction) M4x6...4 screws



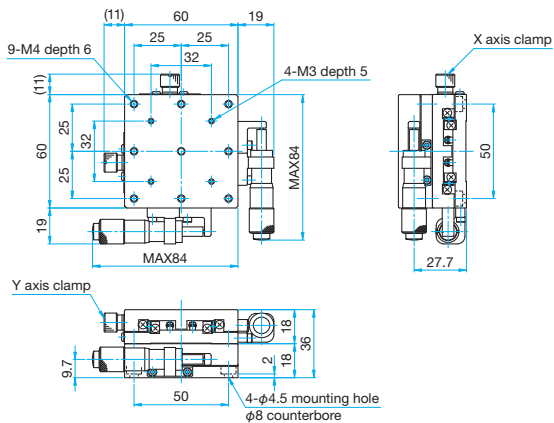
TADC-602WC Hexagon socket head cap screw (stainless steel construction) M4x6...4 screws



TADC-602WS Hexagon socket head cap screw (stainless steel construction) M4x6...4 screws



TADC-602WSR Hexagon socket head cap screw (stainless steel construction) M4x6...4 screws



Application Systems

Optics & Optical Coatings

Opto-Mechanics

Bases

Manual Stages

Actuators & Adjusters

Motoeized Stages

Light Sources & Laser Safety

Index

Guide

X Axis Stages

XY Axis Stages

Z Axis Stages

XZ Axis Stages

XYZ Axis Stages

Rotation Stages

Goniometer

Tilt Stages

Vacuum

Ball Bearing Guide

Crossed Roller

Dovetail

Lapping

V Groove Screw

Ohters

15 × 15 mm

25 × 25 mm

40 × 40 mm

60 × 60 mm

65 × 65 mm

80 × 80 mm

100 × 100 mm

120 × 120 mm

Others

X Axis Aluminum Translation Stages

XY Axis Aluminum Translation Stages

TADC-651
TADC-652W

Stage Size 65 × 65 mm

RoHS

Aluminum translation stage with high stiffness bearing ways. Cost effective and light weight.

- Unique steel bearing ways with 4-point extended contact yield stable load capacity in all directions.
- Long life, maintenance free.



Attention

- ▶ Micrometer brackets may extend above the top surface of some stages. Check drawings for more information.

Application Systems

Optics & Optical Coatings

Opto-Mechanics

Bases

Manual Stages

Actuators & Adjusters

MotORIZED Stages

Light Sources & Laser Safety

Index

Guide

X Axis Stages

XY Axis Stages

Z Axis Stages

XZ Axis Stages

XYZ Axis Stages

Rotation Stages

Goniometer

Tilt Stages

Vacuum

Ball Bearing Guide

Crossed Roller

Dovetail

Lapping

V Groove Screw

Others

15 × 15 mm

25 × 25 mm

40 × 40 mm

60 × 60 mm

65 × 65 mm

80 × 80 mm

100 × 100 mm

120 × 120 mm

Others

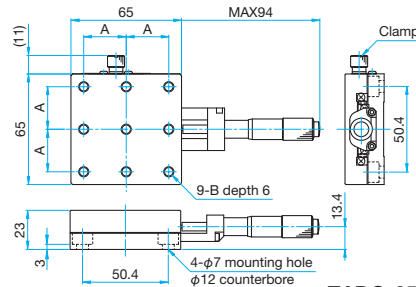
Specifications					
Part Number	METRIC	TADC-651C25-M6	ADC-651S25-M6	TADC-652WC25-M6	TADC-652WS25-M6
	INCH	TADC-651C25UU	TADC-651S25UU	TADC-652WC25UU	TADC-652WS25UU
(Opposite Model)	METRIC	—	ADC-651SR25-M6	—	TADC-652WSR25-M6
	INCH	—	TADC-651SR25UU	—	TADC-652WSR25UU
Stage Size [mm]		65×65	65×65	65×65	65×65
Axes of Travel		X axis		XY axis	
Micrometer Position		Center	Side	Center	Side
Travel [mm]		±12.5	±12.5	±12.5	±12.5
Lead of Actuator [mm/rotation]		0.5	0.5	0.5	0.5
Micrometer Readable Resolution [mm]		0.01	0.01	0.01	0.01
Guide Method		Extended contact ball bearing guide			
Primary Material		Aluminum			
Finish		Black anodized			
Load Capacity [N]					
Travel Accuracy	Straightness [μm]	3	3	3	3
	Pitch [N·m]	4.9	4.9	4.9	4.9
Max. Moment Capacity	Roll [N·m]	4.9	4.9	4.9	4.9
	Yaw [N·m]	4.9	4.9	4.9	4.9
Moment Stiffness	Pitch [°/N·cm]	0.3	0.3	0.6	0.6
	Roll [°/N·cm]	0.3	0.3	0.6	0.6
Parallelism [μm]		30	30	50	50
Running Parallelism [μm]		10	10	20	20
Orthogonality [μm]		—	—	10	10
Weight [kg]		0.31	0.31	0.62	0.62



Outline Drawing

TADC-651C25-M6/651C25UU

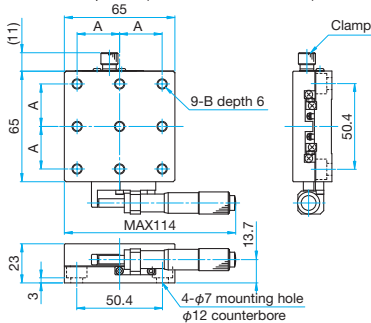
- Hexagon socket head cap screw (stainless steel construction) M6x8...4 screws (M6)
- Hexagon socket head cap screw (stainless steel construction) 1/4-20UNCx5/16...4 screws (UU)



Part Number	A (mm)	B
TADC-651C25-M6	25	M6
TADC-651C25UU	25.4	1/4-20UNC

TADC-651S25-M6/651S25UU

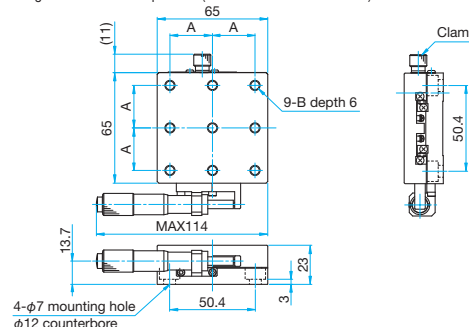
- Hexagon socket head cap screw (stainless steel construction) M6x8...4 screws (M6)
- Hexagon socket head cap screw (stainless steel construction) 1/4-20UNCx5/16...4 screws (UU)



Part Number	A (mm)	B
TADC-651S25-M6	25	M6
TADC-651S25-UU	25.4	1/4-20UNC

TADC-651SR25-M6/651SR25UU

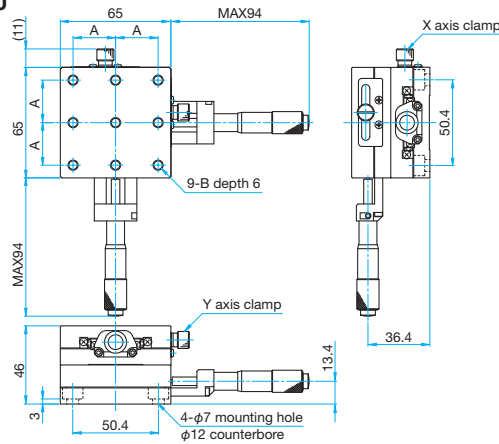
- Hexagon socket head cap screw (stainless steel construction) M6x8...4 screws (M6)
- Hexagon socket head cap screw (stainless steel construction) 1/4-20UNCx5/16...4 screws (UU)



Part Number	A (mm)	B
TADC-651SR25-M6	25	M6
TADC-651SRUU	25.4	1/4-20UNC

TADC-652WC25-M6/652WC25UU

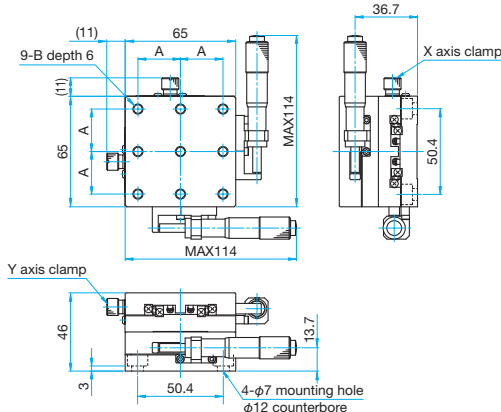
- Hexagon socket head cap screw (stainless steel construction) M6x8...4 screws (M6)
- Hexagon socket head cap screw (stainless steel construction) 1/4-20UNCx5/16...4 screws (UU)



Part Number	A (mm)	B
TADC-652WC25-M6	25	M6
TADC-652WC25UU	25.4	1/4-20UNC

TADC-652WS25-M6/652WS25UU

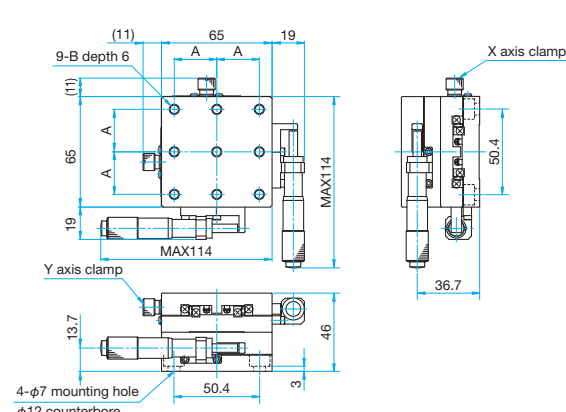
- Hexagon socket head cap screw (stainless steel construction) M6x8...4 screws (M6)
- Hexagon socket head cap screw (stainless steel construction) 1/4-20UNCx5/16...4 screws (UU)



Part Number	A (mm)	B
TADC-652WS25-M6	25	M6
TADC-652WS25-UU	25.4	1/4-20UNC

TADC-652WSR25-M6/652WSR25UU

- Hexagon socket head cap screw (stainless steel construction) M6x8...4 screws (M6)
- Hexagon socket head cap screw (stainless steel construction) 1/4-20UNCx5/16...4 screws (UU)



Part Number	A (mm)	B
TADC-652WSR25-M6	25	M6
TADC-652WSR25UU	25.4	1/4-20UNC

Application Systems
Optics & Optical Coatings
Opto-Mechanics
Bases

Manual Stages
Actuators & Adjusters
Motorized Stages
Light Sources & Laser Safety
Index

Guide
X Axis Stages
XY Axis Stages
Z Axis Stages
XZ Axis Stages
XYZ Axis Stages
Rotation Stages
Goniometer
Tilt Stages
Vacuum

Ball Bearing Guide
Crossed Roller
Dovetail
Lapping
V Groove Screw
Others
15 x 15 mm
25 x 25 mm
40 x 40 mm
60 x 60 mm
65 x 65 mm
80 x 80 mm
100 x 100 mm
120 x 120 mm
Others