

Multi-axis lens holders are a convenient way to align a lens on an optical axis. Can be used in adjusting the collimating lens for laser applications.

- Five-axis adjustment holder (ALHN-5RO) can adjust lenses for wavefront and intensity distribution.
- To focus a lens, rotate the lens tube with the lever while moving the tube forwards or backwards.
- The centering mechanism is fitted with a nut clamp, and the focus adjustment is fitted with a screw clamp.
- Singlet/doublets up to 28 mm thick can be used.

Application Systems

Optics & Optical Coatings

Opto-Mechanics

Bases

Manual Stages

Actuators & Adjusters

MotORIZED Stages

Light Sources & Laser Safety

Index

Guide

Mirrors

Lenses

Prisms

Polarizers

Lasers

Beam Shaping Diffusers

Filters

Shutter

Others

Fiber



Guide

- ▶ Multi-axis lens holders (ALHN-3/ALHN-5) on a baseplate are available. [Reference](#) C043
- ▶ X-Y lens holders (LHCM) without a focus adjustment function are also available. [Reference](#) C040
- ▶ Post length can be changed by specifying the post length when you place an order. We may charge the difference in price depending on the length. Contact our Sales Division for more information.

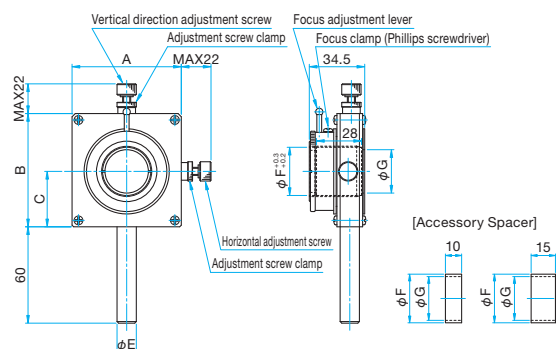
Attention

- ▶ Two spacers are included with these mounts to allow positioning of the lens within the lens tube.
- ▶ When the focal length of lens is long, adjustment does not work effectively because the focus adjustment range is too narrow. In such a case, please use the dovetail stages or optical benches.

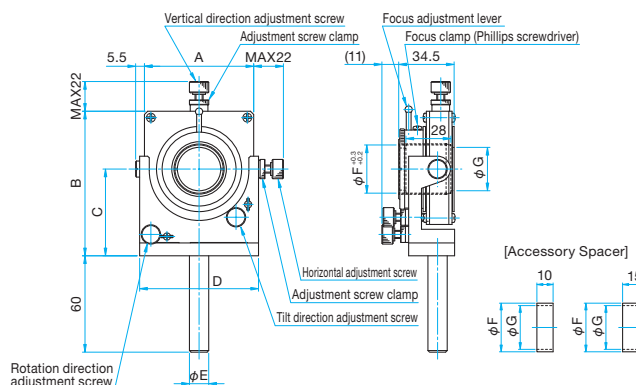


Outline Drawing

ALHN-3RO M6 P1



ALHN-5RO M6 P1



Part Number	A (mm)	B (mm)	C (mm)	φE (mm)	φF (mm)	φG (mm)
ALHN-25-3RO	68	70.5	34.5	φ12	φ25	φ22
ALHN-25.4-3RO	68	70.5	34.5	φ12	φ25.4	φ22
ALHN-30-3RO	68	70.5	34.5	φ12	φ30	φ27
ALHN-50-3RO	88	91	45	φ20	φ50	φ46
ALHN-50.8-3RO	88	91	45	φ20	φ50.8	φ46

Part Number	A (mm)	B (mm)	C (mm)	D (mm)	φE (mm)	φF (mm)	φG (mm)
ALHN-25-5RO	68	90	54	74	φ12	φ25	φ22
ALHN-25.4-5RO	68	90	54	74	φ12	φ25.4	φ22
ALHN-30-5RO	68	90	54	74	φ12	φ30	φ27
ALHN-50-5RO	88	112.7	66.7	94	φ20	φ50	φ46
ALHN-50.8-5RO	88	112.7	66.7	94	φ20	φ50.8	φ46

Three-axis Post Type

Part Number	Options specified*	Compatible Optics		Centering Adjustment Range [mm]	Centering Adjustment Resolution [mm/rotation]	Focus Adjustment Range [mm]	Weight [kg]
		Diameter [mm]	Thickness [mm]				
ALHN-25-3RO	N/EE/UU	φ25	0 - 28	φ6	0.25	±3	0.31
ALHN-25.4-3RO	N/EE/UU	φ25.4	0 - 28	φ6	0.25	±3	0.31
ALHN-30-3RO	N/EE/UU	φ30	0 - 28	φ6	0.25	±3	0.31
ALHN-50-3RO	N/EE/UU	φ50	0 - 28	φ6	0.25	±3	0.5
ALHN-50.8-3RO	N/EE/UU	φ50.8	0 - 28	φ6	0.25	±3	0.5

\* For specifying options, please refer to "Conversion of Posts, Post Holders and Pedestal Bases of Holders". [Reference](#) C007

Five-axis Post Type

Part Number	Options specified*	Compatible Optics		Centering Adjustment Range [mm]	Centering Adjustment Resolution [mm/rotation]	Tilt Range		Tilt Resolution		Focus Adjustment Range [mm]	Weight [kg]
		Diameter [mm]	Thickness [mm]			Tilt [°]	Rotation [°]	Tilt [°/rotation]	Rotation [°/rotation]		
ALHN-25-5RO	N/EE/UU	φ25	0 - 28	φ6	0.25	±4	±4	about 0.5	about 0.5	±3	0.46
ALHN-25.4-5RO	N/EE/UU	φ25.4	0 - 28	φ6	0.25	±4	±4	about 0.5	about 0.5	±3	0.46
ALHN-30-5RO	N/EE/UU	φ30	0 - 28	φ6	0.25	±4	±4	about 0.5	about 0.5	±3	0.46
ALHN-50-5RO	N/EE/UU	φ50	0 - 28	φ6	0.25	±3	±3	about 0.36	about 0.36	±3	0.72
ALHN-50.8-5RO	N/EE/UU	φ50.8	0 - 28	φ6	0.25	±3	±3	about 0.36	about 0.36	±3	0.72

\* For specifying options, please refer to "Conversion of Posts, Post Holders and Pedestal Bases of Holders". [Reference](#) C007