

## Holders for micro lenses of $\phi 3\text{mm}$ or less.

Designed to hold small optics at the end of a long and thin arm to allow other optical elements to be placed close to the element being held. Typical uses include collimator lenses for fiber or laser diodes.

- A light spring force holds the optic securely in place.
- Optics can be mounted easily and securely by clamping an optic in the groove at the end of the arm.
- The MLH-10ADP-2 is an adapter to mount the MLH-SF on a fiber holder (FOP), enabling adjustment of position and tilt. [Reference](#) C076
- The MLH-10ADP-2 can also mount on a  $\square 40\text{mm}$  XYZ stage (TSD-405L), enabling precision position adjustment of optics. [WEB Reference](#) [Catalog Code](#) W7078



### Guide

- ▶ A tapped M6 screw hole on the end of the MLH-SF allows the holder to be directly mounted on a post.
- ▶ Because there is no step on the arm, lens of thickness 2mm or higher can be fixed.

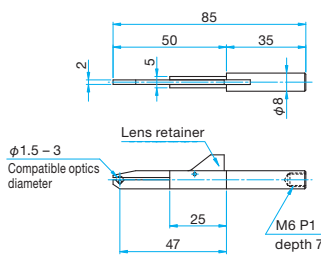
### Attention

- ▶ Because the tip of the arm has a V groove, rectangular optics can be mounted tilted. Either fix at a position away from the V groove, or fix with the optic glued to the flat plane on the top of the arm.
- ▶ The MLH-10ADP-2 cannot be mounted on two-axis pinholes/objective holders (TAT) other than the FOP.
- ▶ When the MLH-10ADP-2 is mounted on an FOP, it is necessary to remove the FOP adapter. Delivery of MLH-10ADP-2 and MLH-SF assembled on the FOP is available. Contact our International Sales Division for more information.

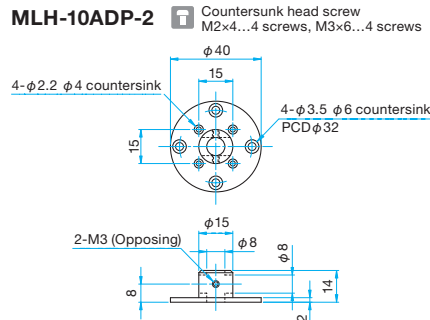
Specifications		Primary material: Aluminum Finish: Black Anodized
Part Number	Compatible Optics Diameter [mm]	Weight [kg]
MLH-SF	$\phi 1.5 - \phi 3$	0.02
MLH-10ADP-1	—	0.06
MLH-10ADP-2	—	0.01

## Outline Drawing

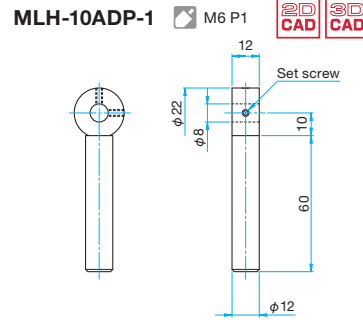
### MLH-SF



### MLH-10ADP-2



### MLH-10ADP-1



## Example of Use

### Fixed Micro Lens Claws

Assembled with the MLH-SF and MLH-10ADP-1. When fixing microscopic lenses simply.



### Micro Lens Claws with four-axis adjustment mechanism

Example of mounting the MLH-SF and MLH-10ADP-2 assembly on a fiber holder (FOP-2DM). Configured for up/down left/right position adjustment of devices such as microscopic prisms, and tilt adjustment of device surfaces.



Refer to the fiber holder (FOP).

[Reference](#) C076

### Micro Lens Claws with two-axis adjustment mechanism

Example of mounting the MLH-SF and MLH-10ADP-2 assembly on a fiber holder (FOP-1). Configuration enables optical axis adjustment of microscopic lenses.



Refer to the fiber holder (FOP).

[Reference](#) C076

### Micro Lens Claws with three-axis adjustment mechanism

Example of mounting the MLH-SF and MLH-10ADP-2 assembly on a XYZ Axis Translation Stages (TSD-405SL).



Refer to the XYZ Axis Translation Stages (TSD-405SL).

[WEB Reference](#) [Catalog Code](#) W7078

Application Systems

Optics & Optical Coatings

Opto-Mechanics

Bases

Manual Stages

Actuators & Adjusters

MotORIZED Stages

Light Sources & Laser Safety

Index

Guide

Mirrors

Lenses

Prisms

Polarizers

Lasers

Beam Shaping Diffusers

Filters

Shutter

Others

Fiber