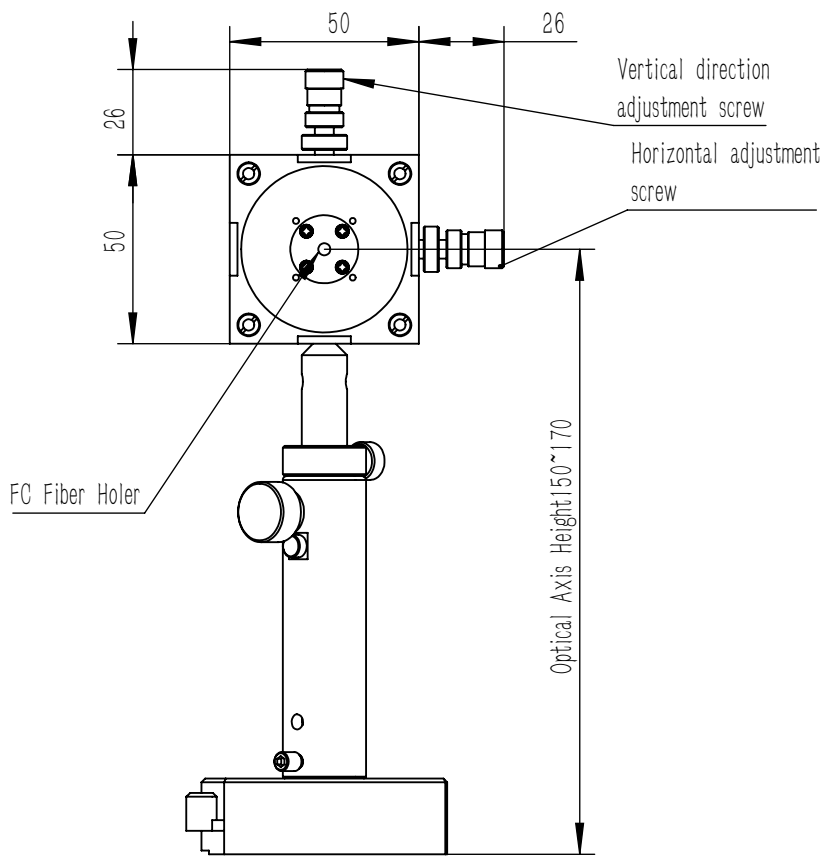
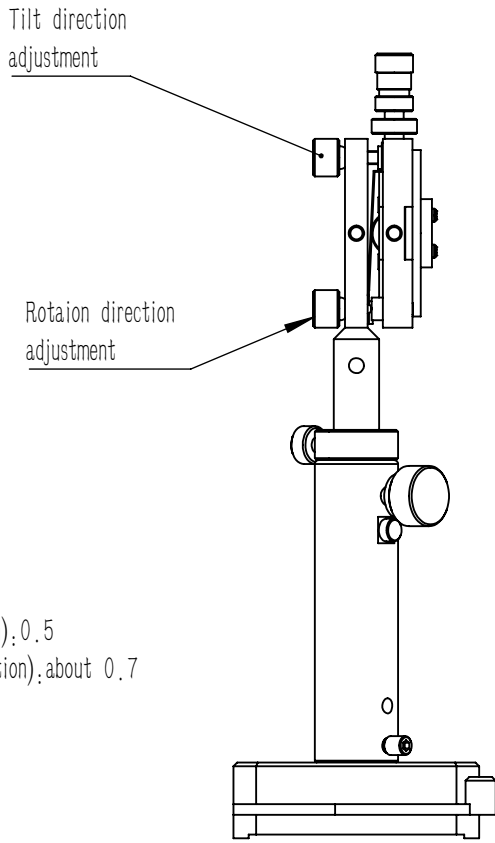


1 2 3 4 5 6

A

A



- 1: XY adjustment Range: +/-1mm
- 2: Tilt-Rotation Range: +/-2 Degree
- 3: XY adjustment Resolution(mm/rotation): 0.5
- 4: Tilt-Rotation Resolution(degree/rotation): about 0.7

B

B

C

C

UNLESS OTHERWISE SPECIFIED: DIMENSIONS ARE IN MILLIMETERS SURFACE FINISH: TOLERANCES: LINEAR: * ANGULAR: *			FINISH:		DEBURR AND BREAK SHARP EDGES		DO NOT SCALE DRAWING		REVISION		
							www.hours-web.com				
							TITLE: FC Type Fiber Optics Holders				
DRAWN			NAME		SIGNATURE		DATE		DWG NO. IFC-FB-FC-160		
CHK'D									A4		
APPV'D									SCALE: 1:1		
MFG									SHEET 1 OF 1		
Q.A							MATERIAL:		WEIGHT: 0.142		

1 2 3 4 5 6

D

D