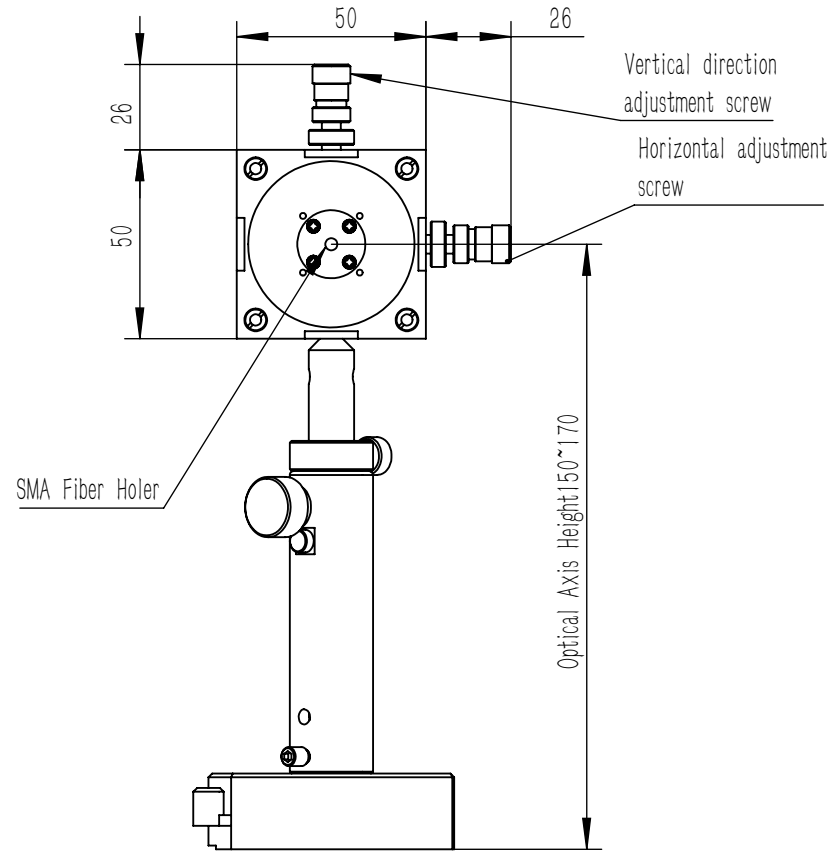
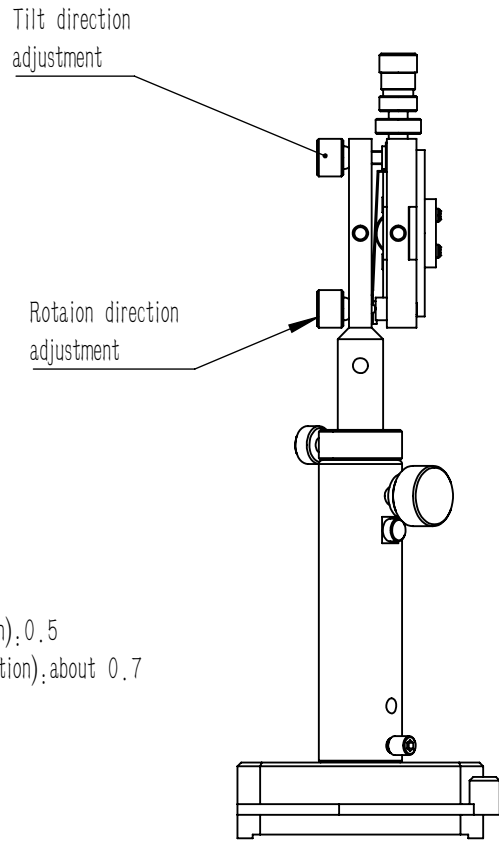


1 2 3 4 5 6

A

A



B

B

- 1: XY adjustment Range: +/-1mm
- 2: Tilt-Rotation Range: +/-2 Degree
- 3: XY adjustment Resolution(mm/rotation): 0.5
- 4: Tilt-Rotation Resolution(degree/rotation): about 0.7

C

C

UNLESS OTHERWISE SPECIFIED: DIMENSIONS ARE IN MILLIMETERS SURFACE FINISH: TOLERANCES: LINEAR: * ANGULAR: *			FINISH:		DEBURR AND BREAK SHARP EDGES		DO NOT SCALE DRAWING		REVISION				
							www.hours-web.com						
							TITLE: SMA Type Fiber Optics Holders						
							DWG NO. IFC-FB-SMA-160			A4			
							WEIGHT: 0.142			SCALE: 1:1		SHEET 1 OF 1	

D

D

1 2 3 4 5 6