

$\alpha(\beta)$ axis Tilt Stages | MAT1 Stage size 25/40/60/100mm



Application Systems

Machine Vision

Manual Positions

Motion Control Products

Optical & Mirror Holder

FA Parts

Measurement & Control

FA Electrical Parts

Tool & Measure

Cleanroom & AntiStatic

Index

X Axis

XY Axis

Z Axis

XZ Axis

XYZ Axis

Rotation

Goniometers/Tilt

Multiaxis

Linear Guide

15mm

25mm

40mm

50mm

60mm

70mm

80mm

100mm

120mm

Others

Tilt stages for adjusting the tilt of a sample on the table top to an arbitrary angle. The control component (adjustment ring) is located on the side of the stage to minimize protrusions. Use the AIS-B series with surface load because it has three-point support structure.

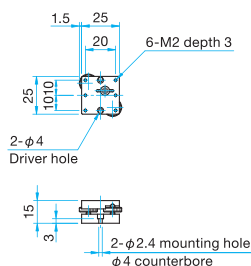


- The adjustment ring type is ideal for quick and easy tilt adjustment.
- The micrometer type is effective in confined spaces where vertical control from the top is required.

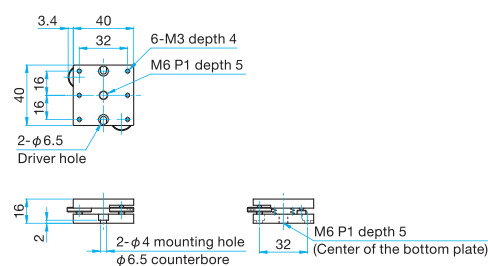


Outline Drawing

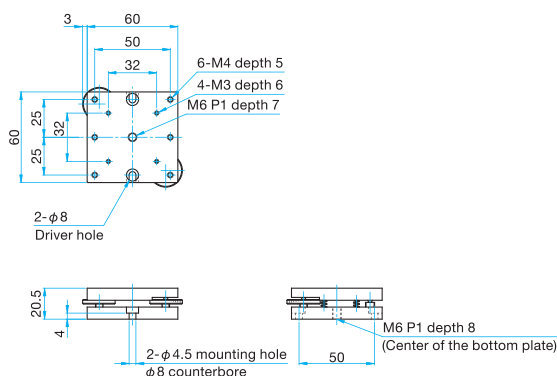
MAT11-25 Pan head screw M2x6...2 screws, Flat washers



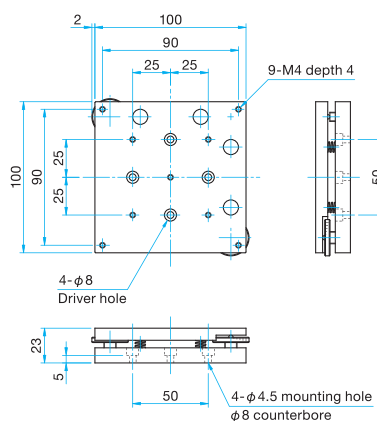
MAT11-40 Pan head screw M3x6...2 screws, Flat washers



MAT11-60 Hexagonal socket head cap screw M4x8...2 screws



MAT11-100 Hexagonal socket head cap screw M4x10...4 screws Spring washers



Specifications

Part Number	MAT11-25	MAT11-40	MAT11-60	MAT11-100
Table Size [mm]	25x25	40x40	60x60	100x100
Tilt Range [°]	±2	±2	±2	±2
Travel per Knob Rotation [°]	about 1.8	about 1	about 0.65	about 0.36
Primary Material	Aluminum	Aluminum	Aluminum	Aluminum
Finish	Black anodized	Black anodized	Black anodized	Black anodized
Load Capacity [N]	9.8 (1.0kgf)	29.4 (3.0kgf)	49.0 (5.0kgf)	68.6 (7.0kgf)
Weight [kg]	0.04	0.06	0.17	0.51



Guide

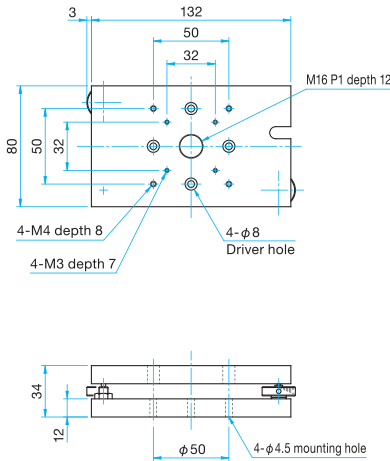
▶ Since the table sizes of MAT11-8013/1016/1622 are the same as that of the precision labjacks (LJ/LJA), these can be used in combination with the labjacks. [Reference](#) G100



Outline Drawing

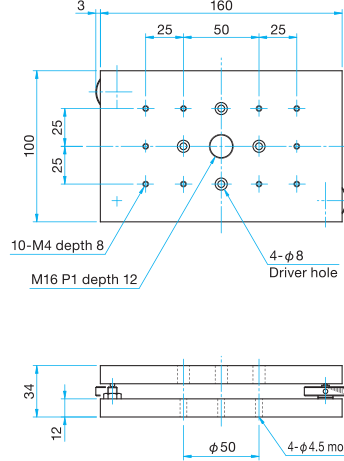
MAT11-8013

Hexagonal socket head cap screw M4x16...4 screws



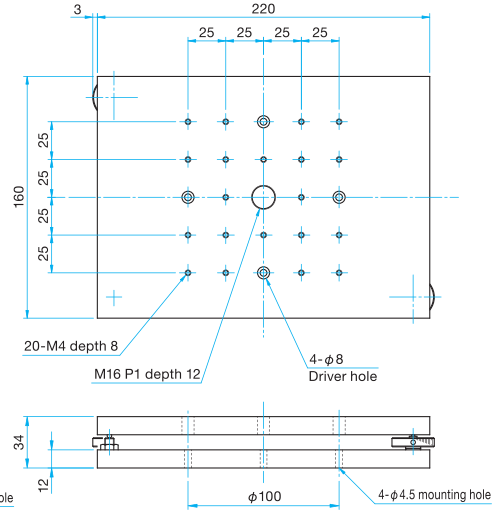
MAT11-1016

Hexagonal socket head cap screw M4x16...4 screws



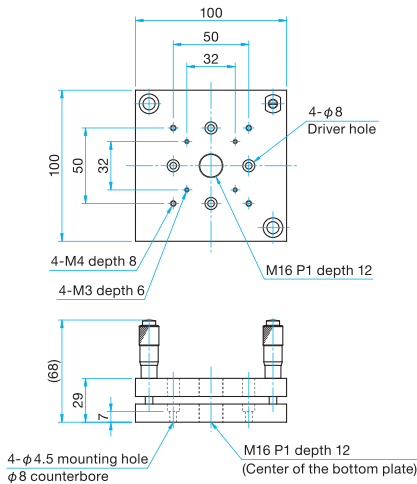
MAT11-1622

Hexagonal socket head cap screw M4x16...4 screws



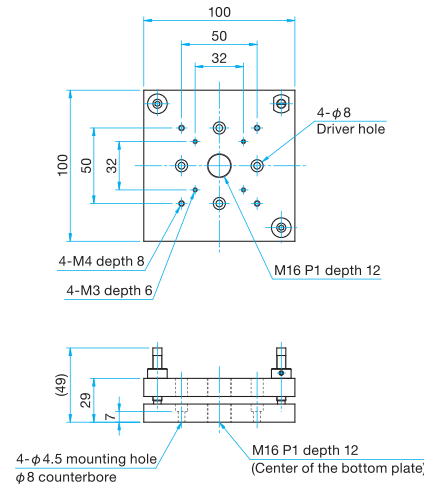
MAT11-100CM

Hexagonal socket head cap screw M4x12...4 screws, Spring washers



MAT11-100CFP

Hexagonal socket head cap screw M4x12...4 screws, Spring washers 3mm



Specifications

Part Number	MAT11-8013	MAT11-1016	MAT11-1622	MAT11-100CM	MAT11-100CFP	
Table Size [mm]	80x132	100x160	160x220	100x100	100x100	
Tilt Range [°]	(α axis) Narrow side direction	±0.8	±0.7	±0.6	±3	±3
	(β axis) Long side direction	±1.4	±1.2	±0.7	±3	±3
Travel per Knob Rotation [°]	(α axis) Narrow side direction	about 0.37	about 0.32	about 0.22	about 0.35	about 0.28
	(β axis) Long side direction	about 0.74	about 0.6	about 0.33	about 0.35	about 0.28
Primary Material	Aluminum	Aluminum	Aluminum	Aluminum	Aluminum	
Finish	Black anodized	Black anodized	Black anodized	Black anodized	Black anodized	
Load Capacity [N]	78.4 (8.0kgf)	98.0 (10.0kgf)	98.0 (10.0kgf)	68.6 (7.0kgf)	68.6 (7.0kgf)	
Weight [kg]	0.8	1.2	2.5	0.6	0.6	

Application Systems

Machine Vision

Manual Positions

Motion Control Products

Optical & Mirror Holder

F A Parts

Measurement & Control

FA Electrical Parts

Tool & Measure

Cleanroom & AntiStatic

Index

X Axis

XY Axis

Z Axis

XZ Axis

XYZ Axis

Rotation

Goniometers /Tilt

Multiaxis

Linear Guide

□15mm

□25mm

□40mm

□50mm

□60mm

□70mm

□80mm

□100mm

□120mm

Others