

Z axis Steel Extended Contact Slide Stages (Vertical)

Z axis Stainless Steel Extended Contact Slide Stages (Vertical)

MLT33-25L Stage size □25mm

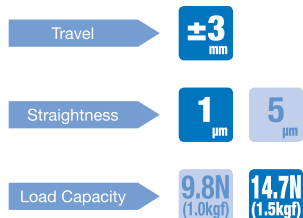
RoHS

MLT63-25L Stage size □25mm

RoHS

Z axis stages integrating a stage and Z bracket.

- Hardened Steel linear stages with integrated bearing ways for superior stiffness, accuracy and durability.
- The TSDS model is made entirely of stainless steel, they offering excellent corrosion resistance. Both the stage and the stainless steel micrometer head are lubricated with a high grade vacuum grease.



Guide

- ▶ The part number suffix FP indicates products with fine-pitch screws instead of standard micrometers.
- ▶ Fine Pitch screws have a screw pitch of 0.25mm and require a hex wrench or the optional hex wrench with knob (NSC) for adjustment.



Reference H010

Application Systems

Machine Vision

Manual Positions

Motion Control Products

Optical & Mirror Holder

FA Parts

Measurement & Control

FA Electrical Parts

Tool & Measure

Cleanroom & AntiStatic

Index

X Axis

XY Axis

Z Axis

XZ Axis

XYZ Axis

Rotation

Goniometers /Tilt

Multiaxis

Linear Guide

□15mm

□25mm

□40mm

□50mm

□60mm

□70mm

□80mm

□100mm

□120mm

Others

SPEC UP

Specifications

Table Size [mm]	25×25	
Travel [mm]	±3	
Positioning Slide	Extended contact ball guide	
Load Capacity [N]	14.7 (1.5kgf)	
Travel Accuracy	Straightness [μm]	1
Max. Moment Capacity	Pitch [N·m]	2.2
	Roll [N·m]	2.1
Moment Stiffness	Pitch [°/N·cm]	3.3
Running Parallelism [μm]	20	
Angularity [μm]	30	

Part Number	MLT33-25L	MLT33-25LFP	MLT63-25L
Opposite Model	MLT33-25RL	MLT33-25RLFP	—
Primary Material	Steel	Steel	Stainless steel
Finish	Super black chrome	Super black chrome	None
Lead of Actuator [mm/rotation]	0.5	0.25	0.5
Micrometer Readable Resolution [mm]	0.01	—	0.01
Weight [kg]	0.1	0.1	0.1

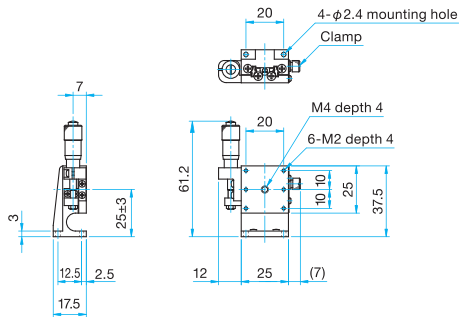
Catalog Code W7044

Catalog Code W7045

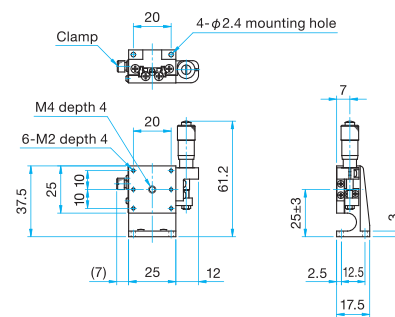


Outline Drawing

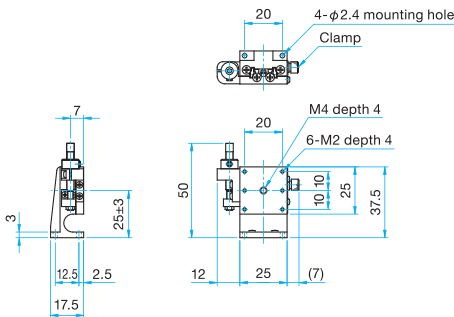
MLT33-25L Hexagonal socket head cap screw M2x6...4 screws



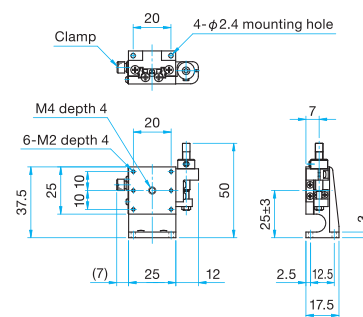
MLT33-25RL Hexagonal socket head cap screw M2x6...4 screws



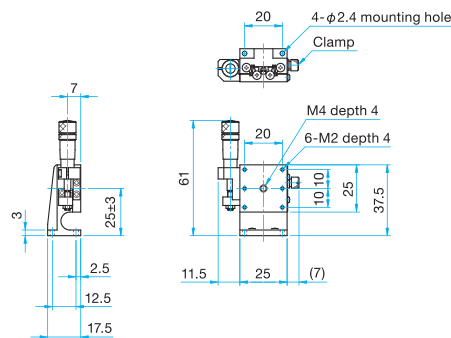
MLT33-25LFP Hexagonal socket head cap screw M2x6...4 screws 2mm



MLT33-25RLFP Hexagonal socket head cap screw M2x6...4 screws 2mm



MLT63-25L Hexagon socket head cap screw (stainless steel construction) M2x6...4 screws



Application Systems

Machine Vision

Manual Positions

Motion Control Products

Optical & Mirror Holder

F A Parts

Measurement & Control

FA Electrical Parts

Tool & Measure

Cleanroom & AntiStatic

Index

X Axis

XY Axis

Z Axis

XZ Axis

XYZ Axis

Rotation

Goniometers /Tilt

Multiaxis

Linear Guide

□15mm

□25mm

□40mm

□50mm

□60mm

□70mm

□80mm

□100mm

□120mm

Others