

Z axis Rack and Pinion Dovetail Stages (Vertical)

Z axis Rack and Pinion Dovetail Stages (Vertical)

MLT7W-L
MLT0-L



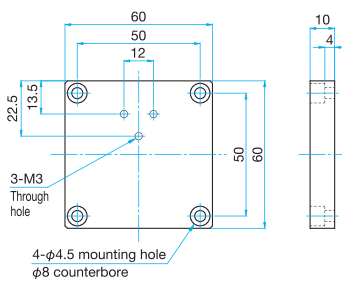
Catalog Code W7052
Catalog Code W7053

Z axis rack and pinion stages, ideal for frequent operations that require quick motion and long travel.



TAR-34403L Bottom Plate Primary material: Aluminum
Finish: Black Anodized

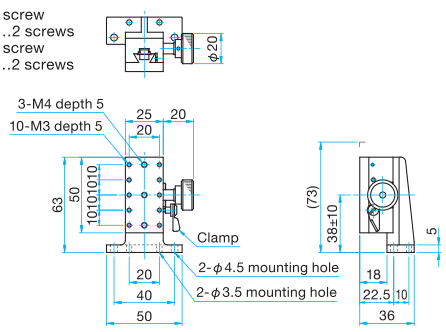
TAR-34403L include a base plate that allows mounting on instruments or bases fitted with M4 tapped holes on 50mm, preventing the handle from contacting the mounting surface.



Outline Drawing

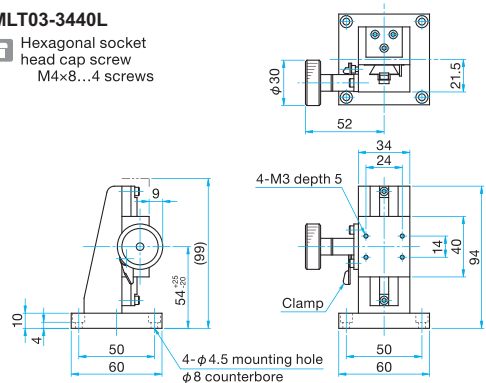
MLT73W-2550L

- Pan head screw M3x10...2 screws
- Pan head screw M4x10...2 screws



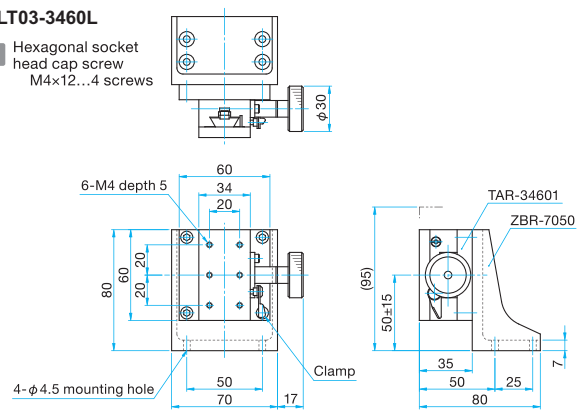
MLT03-3440L

- Hexagonal socket head cap screw M4x8...4 screws



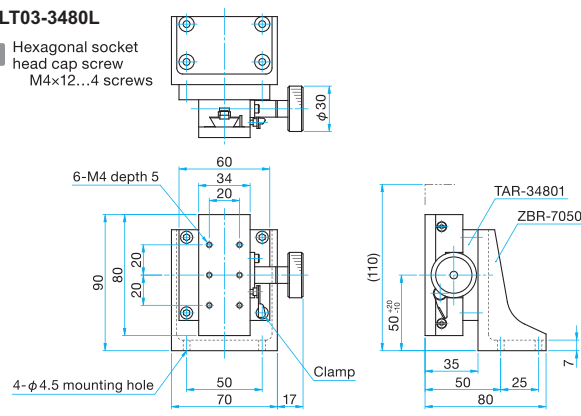
MLT03-3460L

- Hexagonal socket head cap screw M4x12...4 screws



MLT03-3480L

- Hexagonal socket head cap screw M4x12...4 screws



- Application Systems
- Machine Vision
- Manual Positions
- Motion Control Products
- Optical & Mirror Holder
- FA Parts
- Measurement & Control
- FA Electrical Parts
- Tool & Measure
- Cleanroom & AntiStatic
- Index

- X Axis
- XY Axis
- Z Axis
- XZ Axis
- XYZ Axis
- Rotation
- Goniometers /Tilt
- Multiaxis
- Linear Guide

- 15mm
- 25mm
- 40mm
- 50mm
- 60mm
- 70mm
- 80mm
- 100mm
- 120mm
- Others

Specifications		MLT73W-2550L	MLT03-3440L	MLT03-3460L	MLT03-3480L
Part Number		MLT73W-2550L	MLT03-3440L	MLT03-3460L	MLT03-3480L
Table Size [mm]		25x50	34x40	34x60	34x80
Travel [mm]		±10	+25 / -20	±15	+20 / -10
Lead of Actuator [mm/rotation]		about 20	about 20	about 20	about 20
Vernier Readable Resolution [mm]		0.1	0.1	0.1	0.1
Positioning Slide		Dovetail slide method	Dovetail slide method	Dovetail slide method	Dovetail slide method
Primary Material		Brass	Brass	Brass, aluminum	Brass, aluminum
Finish		Super black chrome	Super black chrome	Super black chrome Black anodized	Super black chrome Black anodized
Load Capacity [N]		9.8 (1.0kgf)	14.7 (1.5kgf)	14.7 (1.5kgf)	14.7 (1.5kgf)
Angularity [mm]		0.05	0.05	0.1	0.1
Travel Accuracy	Straightness [μm]	30	20	20	30
Max. Moment Capacity	Pitch [N·m]	0.6	1.5	1.4	1.9
	Roll [N·m]	0.5	1	1.2	1.5
Moment Stiffness	Pitch [°/N·cm]	1.53	0.51	0.41	0.41
	Weight [kg]	0.3	0.5	0.8	1.1