

## NEW Low-profile X axis Steel Stages | MLT51-40/60 Stage size □40/□60mm RoHS

Ultra thin stages (10mm) provide high stiffness and load capacity in a very low profile packages that are 40% shorter and 35% lighter than standard TSD stages.

- Opposed locking clamp to maximize the holding power.
- Low-profile is ideal for assembling into systems with limited spaces or optical experiments that require low optical axis.

### Stage □40mm



### Stage □60mm



### Guide

- ▶ The part number suffix FP indicates products with fine-pitch screws instead of standard micrometers.
- ▶ Fine Pitch screws have a screw pitch of 0.25mm and require a hex wrench or the optional hex wrench with knob (NSC) for adjustment.



Reference H010



	MLT31-60S	<b>NEW</b>	MLT51-60S
Stage Thickness	18mm	➔	10mm
Stage weight	0.5kg	➔	0.28kg

- Application Systems
- Machine Vision
- Manual Positions**
- Motion Control Products
- Optical & Mirror Holder
- F A Parts
- Measurement & Control
- FA Electrical Parts
- Tool & Measure
- Cleanroom & AntiStatic
- Index

- X Axis**
- XY Axis
- Z Axis
- XZ Axis
- XYZ Axis
- Rotation
- Goniometers /Tilt
- Multiaxis
- Linear Guide
- 15mm
- 25mm
- 40mm**
- 50mm
- 60mm
- 70mm
- 80mm
- 100mm
- 120mm
- Others

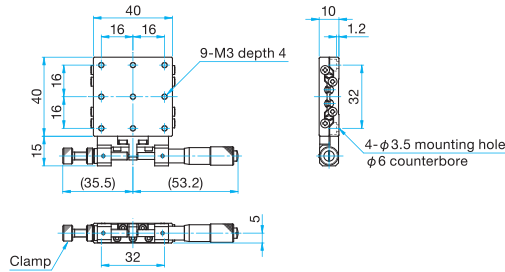
Specifications				
Part Number	<b>NEW</b> MLT51-40S	<b>NEW</b> MLT51-40SFP	<b>NEW</b> MLT51-60S	<b>NEW</b> MLT51-60SFP
Opposite Model	<b>NEW</b> MLT51-40SR	<b>NEW</b> MLT51-40SRFP	<b>NEW</b> MLT51-60SR	<b>NEW</b> MLT51-60SRFP
Table Size [mm]	40×40	40×40	60×60	60×60
Micrometer Position	Side	Side	Side	Side
Travel [mm]	±6.5	±6.5	±6.5	±6.5
Lead of Actuator [mm/rotation]	0.5	0.25	0.5	0.25
Micrometer Readable Resolution [mm]	0.01	—	0.01	—
Positioning Slide	Extended contact ball guide	Extended contact ball guide	Extended contact ball guide	Extended contact ball guide
Primary Material	Steel	Steel	Steel	Steel
Finish	Super black chrome	Super black chrome	Super black chrome	Super black chrome
Load Capacity [N]	147 (15.0kgf)	147 (15.0kgf)	343 (35.0kgf)	343 (35.0kgf)
Travel Accuracy	Straightness [μm]	1	1	1
	Pitch [°]	30	30	25
	Yaw [°]	25	25	15
Max. Moment Capacity	Pitch [N·m]	3.9	3.9	6.4
	Roll [N·m]	3.9	3.9	6.4
	Yaw [N·m]	2.9	2.9	4.9
Moment Stiffness	Pitch [°/N·cm]	0.36	0.36	0.2
	Roll [°/N·cm]	0.3	0.3	0.2
	Yaw [°/N·cm]	0.36	0.36	0.2
Parallelism [μm]	30	30	30	30
Running Parallelism [μm]	10	10	10	10
Weight [kg]	0.14	0.14	0.28	0.28



**Outline Drawing**

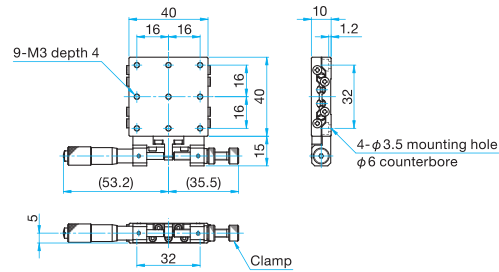
**MLT51-40S**

Low head hexagon socket head cap screw M3x5...4 screws



**MLT51-40SR**

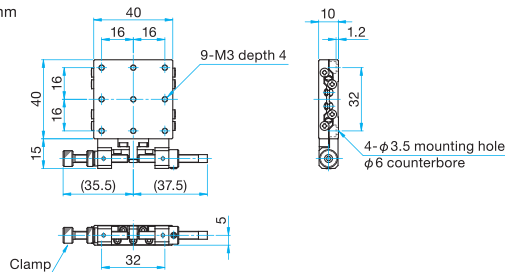
Low head hexagon socket head cap screw M3x5...4 screws



**MLT51-40SFP**

Low head hexagon socket head cap screw M3x5...4 screws

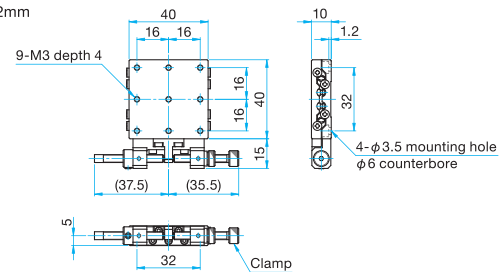
2mm



**MLT51-40SRFP**

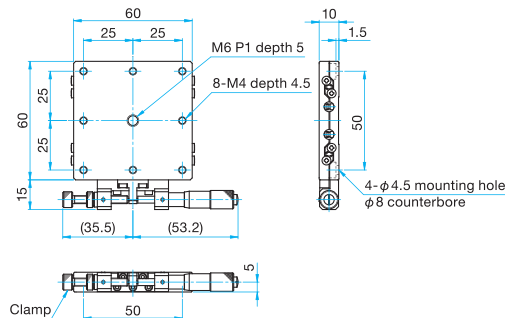
Low head hexagon socket head cap screw M3x5...4 screws

2mm



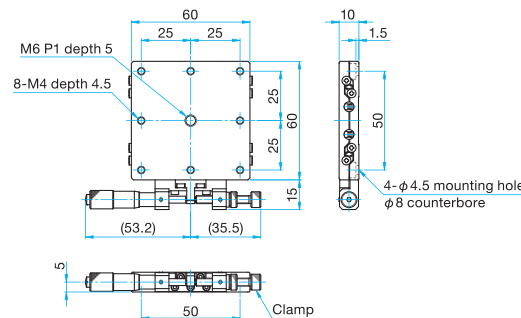
**MLT51-60S**

Low head hexagon socket head cap screw M4x6...4 screws



**MLT51-60SR**

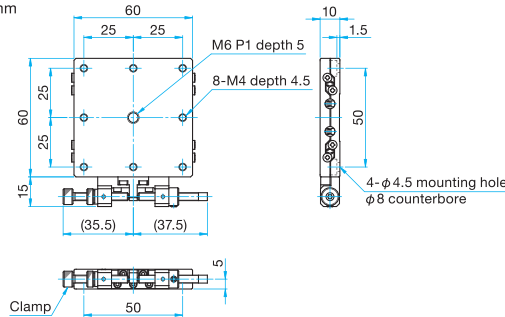
Low head hexagon socket head cap screw M4x6...4 screws



**MLT51-60SFP**

Low head hexagon socket head cap screw M4x6...4 screws

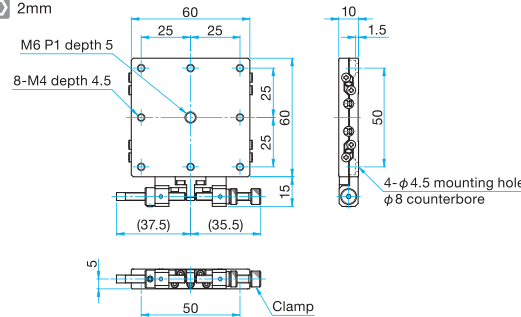
2mm



**MLT51-60SRFP**

Low head hexagon socket head cap screw M4x6...4 screws

2mm



Application Systems

Machine Vision

Manual Positions

Motion Control Products

Optical & Mirror Holder

F A Parts

Measurement & Control

FA Electrical Parts

Tool & Measure

Cleanroom & AntiStatic

Index

X Axis

XY Axis

Z Axis

XZ Axis

XYZ Axis

Rotation

Goniometers /Tilt

Multiaxis

Linear Guide

□15mm

□25mm

□40mm

□50mm

□60mm

□70mm

□80mm

□100mm

□120mm

Others