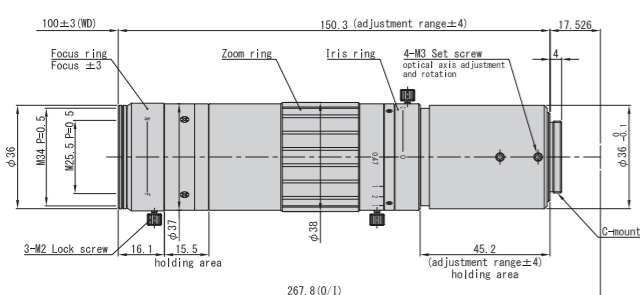




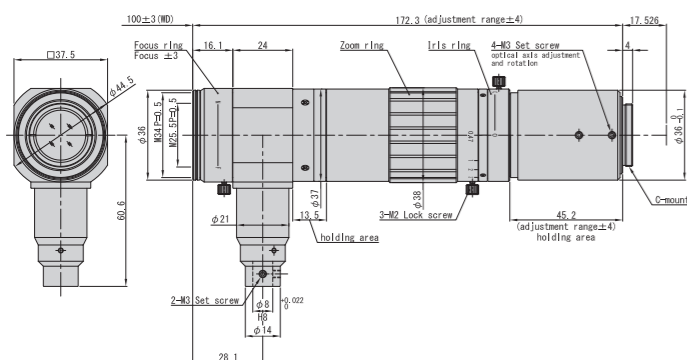
Telecentric Zoom Lens 6x Zoom (Available for Dent models)

VSZ-0530



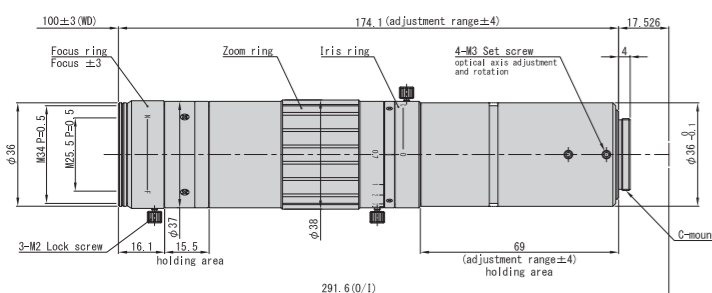
Optical Mag. Range	0.47x ~ 3.0x		
Optical Mag.	0.47x	1.2x	3.0x
FOV(VxH)	1/1.8"	11.5 x 15.1 mm	4.5 x 5.9 mm
	1/2"	10.2 x 13.6 mm	4.0 x 5.3 mm
	1/3"	7.7 x 10.2 mm	3.0 x 4.0 mm
WD	100.0 mm ±3		
O/I (Object & Imager Distance)	267.8 mm		
Working F/# *Value at Iris Open	6.9	9.3	19.8
NA	0.034	0.065	0.076
DOF at PCoC φ0.04mm	2.5 mm	0.5 mm	0.2 mm
TV Distortion (1/1.8")	-0.09 %	0.12 %	0.11 %
Relative Illuminance (Y=4.4)	51 %	77 %	99 %
Wavelength	Visible		
Mount	C-Mount		
Flange Back	17526 mm		
Sensor Size (max.)	1/1.8"		
Co-Axial Prism	—		
Weight (approx.)	230 g		
Dimension	φ38(max.) x L = 150.3 mm		

VSZ-0530CO



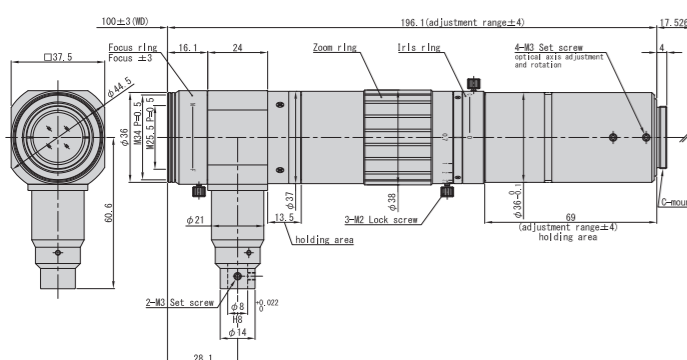
Optical Mag. Range	0.47x ~ 3.0x		
Optical Mag.	0.47x	1.2x	3.0x
FOV(VxH)	1/1.8"	11.5 x 15.1 mm	4.5 x 5.9 mm
	1/2"	10.2 x 13.6 mm	4.0 x 5.3 mm
	1/3"	7.7 x 10.2 mm	3.0 x 4.0 mm
WD	100.0 mm ±3		
O/I (Object & Imager Distance)	289.8 mm		
Working F/# *Value at Iris Open	6.9	9.3	19.8
NA	0.034	0.065	0.076
DOF at PCoC φ0.04mm	2.5 mm	0.5 mm	0.2 mm
TV Distortion (1/1.8")	-0.09 %	0.12 %	0.11 %
Relative Illuminance (Y=4.4)	51 %	77 %	99 %
Wavelength	Visible		
Mount	C-Mount		
Flange Back	17526 mm		
Sensor Size (max.)	1/1.8"		
Co-Axial Prism	Built-in		
Weight (approx.)	320 g		
Dimension	φ44.5(max.) x L = 172.3 mm		

VSZ-0745



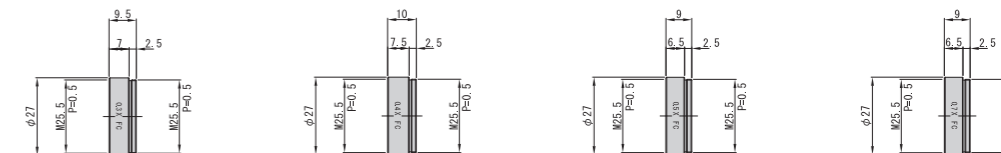
Optical Mag. Range	0.7x ~ 4.5x		
Optical Mag.	0.7x	1.8x	4.5x
FOV(VxH)	2/3"	10.1 x 12.0 mm	3.9 x 4.7 mm
	1/2"	6.9 x 9.1 mm	2.7 x 3.6 mm
	1/3"	5.1 x 6.9 mm	2.0 x 2.7 mm
WD	100.0 mm ±3		
O/I (Object & Imager Distance)	291.6 mm		
Working F/# *Value at Iris Open	10.3	13.8	29.0
NA	0.034	0.065	0.078
DOF at PCoC φ0.04mm	1.7 mm	0.3 mm	0.1 mm
TV Distortion (2/3")	-0.03 %	0.09 %	0.08 %
Relative Illuminance (Y=5.5)	71 %	87 %	99 %
Wavelength	Visible		
Mount	C-Mount		
Flange Back	17526 mm		
Sensor Size (max.)	2/3"		
Co-Axial Prism	—		
Weight (approx.)	260 g		
Dimension	φ38(max.) x L = 174.1 mm		

VSZ-0745CO



Optical Mag. Range	0.7x ~ 4.5x		
Optical Mag.	0.7x	1.8x	4.5x
FOV(VxH)	2/3"	10.1 x 12.0 mm	3.9 x 4.7 mm
	1/2"	6.9 x 9.1 mm	2.7 x 3.6 mm
	1/3"	5.1 x 6.9 mm	2.0 x 2.7 mm
WD	100.0 mm ±3		
O/I (Object & Imager Distance)	313.6 mm		
Working F/# *Value at Iris Open	10.3	13.8	29.0
NA	0.034	0.065	0.078
DOF at PCoC φ0.04mm	1.7 mm	0.3 mm	0.1 mm
TV Distortion (2/3")	-0.03 %	0.09 %	0.08 %
Relative Illuminance (Y=5.5)	71 %	87 %	99 %
Wavelength	Visible		
Mount	C-Mount		
Flange Back	17526 mm		
Sensor Size (max.)	2/3"		
Co-Axial Prism	Built-in		
Weight (approx.)	340 g		
Dimension	φ44.5(max.) x L = 196.1 mm		

VSZ-03X/04X/05X/07X



Model	VSZ-03X	VSZ-04X	VSZ-05X	VSZ-07X
Converter Mag.	0.3x	0.4x	0.5x	0.7x
Zoom Lens	VSZ-0745 and VSZ-0530	VSZ-0745 and VSZ-0530	VSZ-0745 and VSZ-0530	VSZ-0745 and VSZ-0530
Mag. range with Zoom Lens	0.21x~1.35x	0.141x~0.9x	0.28x~1.8x	0.188x~1.2x
WD *at Focus center	337.6mm	250.6mm	201.0mm	140.0mm

Zoom Lens Diagram

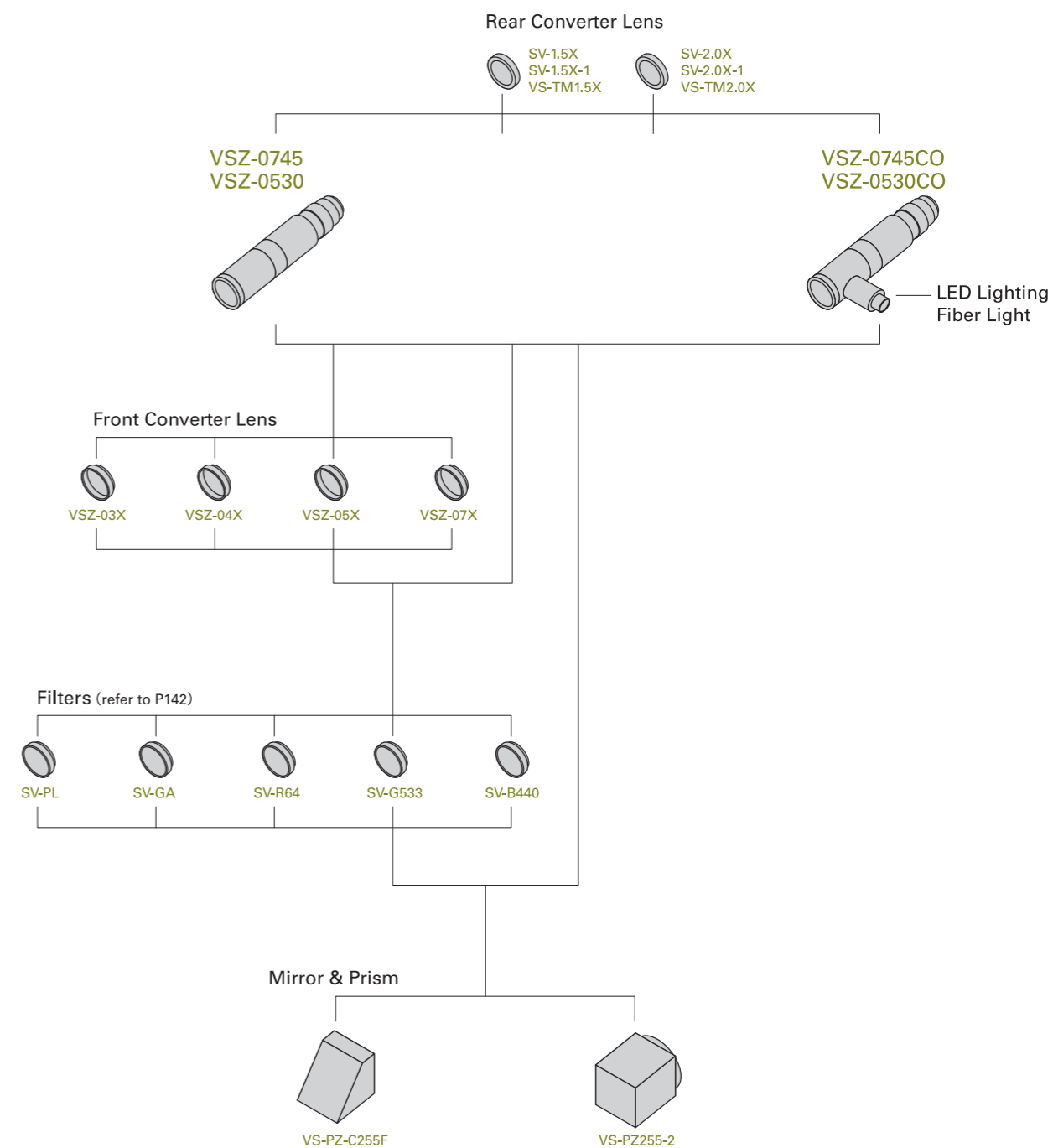


Table for WD, FOV and Extension Tube Length

Suitable configurations for applications can be found in this chart.

Configurations		FOV* (mm)		WD (mm)	Mag Range		FOV*1 (mm) with Rear Converter			
		Low Mag	High Mag		Low Mag	High Mag	SV - 1.5X		SV - 2.0X	
F.C*2 + Zoom Lens	Camera						Low Mag	High Mag	Low Mag	High Mag
None + VSZ-0745	1/3"	5.1x6.9	0.8x1.1	100	0.7x	4.5x	3.4x4.6	0.5x0.7	2.6x3.5	0.4x0.6
	1/2"	6.9x9.1	1.1x1.4				4.6x6.1	0.7x0.9	3.5x4.6	0.6x0.7
	1/1.8"	7.5x10.1	1.2x1.6				5.0x6.7	0.8x1.0	3.8x5.6	0.6x0.8
	2/3"	9.4x12.6	1.0x2.0				6.3x8.4	1.0x1.3	4.7x6.3	0.5x1.0
VSZ-07X + VSZ-0745	1/3"	7.3x9.8	1.1x1.5	140	0.49x	3.15x	4.9x6.5	0.8x1.0	3.7x4.9	0.6x0.8
	1/2"	9.8x13.1	1.5x2.0				6.5x8.7	1.0x1.4	4.9x6.5	0.8x1.0
	1/1.8"	10.8x14.4	1.7x2.2				7.2x9.6	1.1x1.5	5.4x7.2	0.8x1.1
	2/3"	13.5x18	2.1x2.8				9.0x12.0	1.4x1.9	6.7x9.0	1.0x1.4
VSZ-05X + VSZ-0745	1/3"	10.3x13.7	1.6x2.1	201	0.35x	2.25x	6.9x9.1	1.1x1.4	5.1x6.9	0.8x1.1
	1/2"	13.7x18.3	2.1x2.8				9.1x12.2	1.4x1.9	6.9x9.1	1.1x1.4
	1/1.8"	15.1x20.1	2.3x3.1				10.1x13.4	1.6x2.1	7.5x10.1	1.2x1.6
	2/3"	18.9x25.1	2.9x3.9				12.6x16.8	2.0x2.6	9.4x12.6	1.5x2.0
VSZ-04X + VSZ-0745	1/3"	12.9x17.1	2.0x2.7	250.6	0.28x	1.8x	8.6x11.4	1.3x1.8	6.4x8.6	1.0x1.3
	1/2"	17.1x22.9	2.7x3.6				11.4x15.2	1.8x2.4	8.6x11.4	1.3x1.8
	1/1.8"	18.9x25.1	2.9x3.9				12.6x16.8	2.0x2.6	9.4x12.6	1.5x2.0
	2/3"	23.6x31.4	3.7x4.9				15.7x21.0	2.4x3.3	11.8x15.7	1.8x2.4
VSZ-03X + VSZ-0745	1/3"	17.1x22.9	2.7x3.6	337.6	0.21x	1.35x	11.4x15.2	1.8x2.4	8.6x11.4	1.3x1.8
	1/2"	22.9x30.5	3.6x4.7				15.2x20.3	2.4x3.3	11.4x15.2	1.8x2.4
	1/1.8"	25.1x33.5	3.9x5.2				16.8x22.3	2.6x3.5	12.6x16.8	2.0x2.6
	2/3"	31.4x41.9	4.9x6.5				21.0x27.9	3.3x4.3	15.7x21.0	2.4x3.3
None + VSZ-0530	1/3"	7.7x10.2	1.2x1.6	100	0.47x	3.0x	5.1x6.8	0.8x1.1	3.8x5.1	0.6x0.8
	1/2"	10.2x13.6	1.6x2.1				6.8x9.1	1.1x1.4	5.1x6.8	0.8x1.1
	1/1.8"	11.2x15.0	1.8x2.3				7.5x10.0	1.2x1.6	5.6x7.5	0.9x1.2
	2/3"	—	—				—	—	—	—
VSZ-07X + VSZ-0530	1/3"	10.9x14.6	1.7x2.3	140	0.329x	2.1x	7.3x9.7	1.1x1.5	5.5x7.3	0.9x1.1
	1/2"	14.6x19.5	2.3x3.0				9.7x13.0	1.5x2.0	7.3x9.7	1.1x1.5
	1/1.8"	16.0x21.4	2.5x3.4				10.7x14.3	1.7x2.2	8.0x10.7	1.3x1.7
	2/3"	—	—				—	—	—	—
VSZ-05X + VSZ-0530	1/3"	15.3x20.4	2.4x3.2	201	0.235x	1.5x	10.2x13.6	1.6x2.1	7.7x10.2	1.2x1.6
	1/2"	20.4x27.2	3.2x4.3				13.6x18.2	2.1x2.8	10.2x13.6	1.6x2.1
	1/1.8"	22.5x30.0	3.5x4.7				15.0x20.0	2.3x3.1	11.1x15.0	1.8x2.3
	2/3"	—	—				—	—	—	—
VSZ-04X + VSZ-0530	1/3"	19.1x25.5	3.0x4.0	250.6	0.188x	1.2x	12.8x17.0	2.0x2.7	9.6x12.8	1.5x2.0
	1/2"	25.5x34.0	4.0x5.3				17.0x22.7	2.7x3.6	12.8x17.0	2.0x2.7
	1/1.8"	28.1x37.4	4.4x5.9				18.7x25.0	2.9x3.9	14.0x18.7	2.2x2.9
	2/3"	—	—				—	—	—	—
VSZ-03X + VSZ-0530	1/3"	25.5x34.0	4.0x5.3	337.6	0.141x	0.9x	17.0x22.7	2.7x3.6	12.8x17.0	2.0x2.7
	1/2"	34.0x45.4	5.3x7.1				22.7x30.3	3.6x4.7	17.0x22.7	2.7x3.6
	1/1.8"	37.4x49.9	5.9x7.8				25.0x33.3	3.9x5.2	18.7x25.0	2.9x3.9
	2/3"	—	—				—	—	—	—

\*1 FOV is calculated from the camera sensor sizes (mm) below.  
 1/3" = 3.6x4.8 : 1/2" = 4.8x6.4 : 1/1.8" = 5.28x7.04 : 2/3" = 6.6x8.8  
 If you use a different sensor size, the above FOV will change.

\*2 F.C = Front Converter lens

Motorized Zoom Lenses

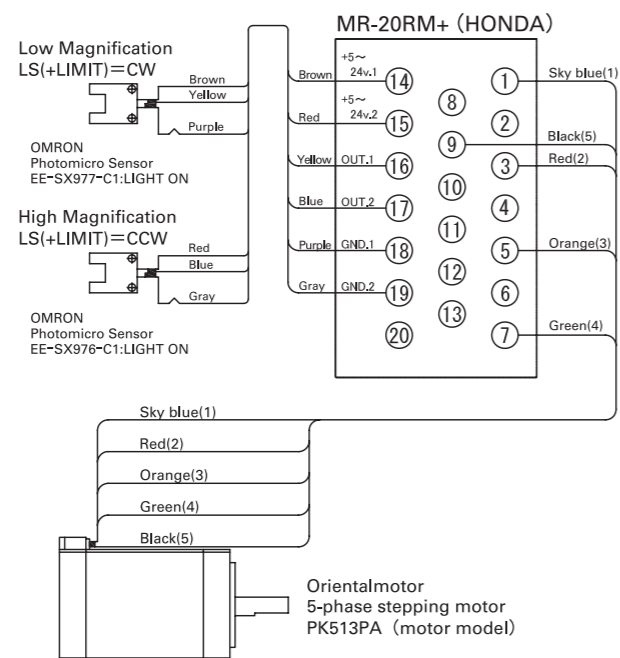
# VSZ-MR Series 2/3" | 1/1.8"

The VSZ-MR is the motorized version of a subset of VSZ lenses. Designed for a long 100mm WD it is great for automating machine vision applications needing to see objects at variable distances.

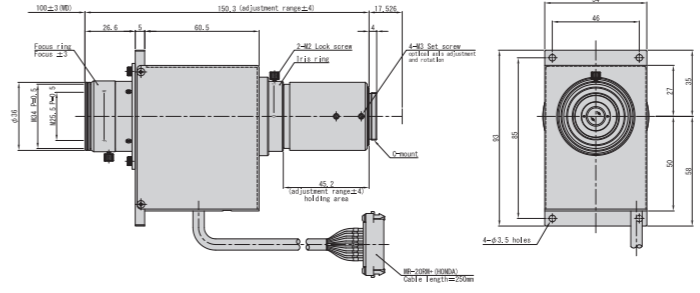
- Features**
- 1/1.8" - 2/3" sensor support
  - 0.47x - 3.0x & 0.7x - 4.5x Variable magnification
  - 100mm WD
  - Motorized variable zoom



Circuit diagram

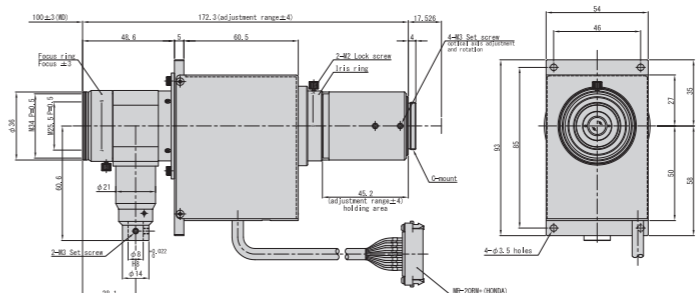


### VSZ-0530-MR



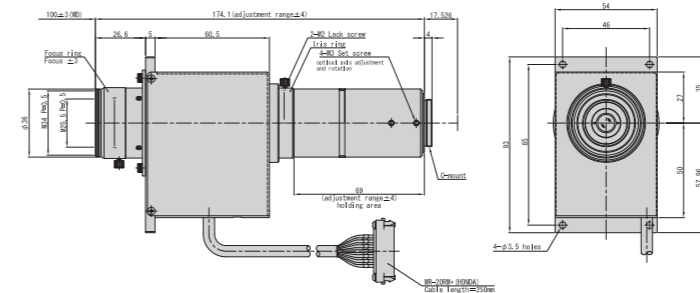
Optical Mag. Range	0.47x ~ 3.0x			
Optical Mag.	0.47x	1.2x	3.0x	
FOV(VxH)	1/1.8"	11.5 x 15.1 mm	4.5 x 5.9 mm	1.8 x 2.4 mm
	1/2"	10.2 x 13.6 mm	4.0 x 5.3 mm	1.6 x 2.1 mm
	1/3"	7.7 x 10.2 mm	3.0 x 4.0 mm	1.2 x 1.6 mm
WD	100.0 mm ±3			
O/I (Object & Imager Distance)	267.8 mm			
Working F/# *Value at Iris Open	6.9	9.3	19.8	
NA	0.034	0.065	0.076	
DOF at PCoC φ0.04mm	2.5 mm	0.5 mm	0.2 mm	
TV Distortion (1/1.8")	-0.09 %	0.12 %	0.11 %	
Relative Illuminance (Y=4.4)	51 %	77 %	99 %	
Wavelength	Visible			
Mount	C-Mount			
Flange Back	17526 mm			
Sensor Size (max.)	1/1.8"			
Co-Axial Prism	-			
Weight (approx.)	560 g			
Dimension	54 x 93(max.) x L = 150.3 mm			

### VSZ-0530CO-MR



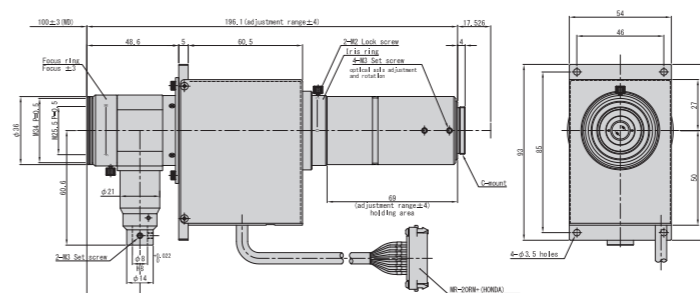
Optical Mag. Range	0.47x ~ 3.0x			
Optical Mag.	0.47x	1.2x	3.0x	
FOV(VxH)	1/1.8"	11.5 x 15.1 mm	4.5 x 5.9 mm	1.8 x 2.4 mm
	1/2"	10.2 x 13.6 mm	4.0 x 5.3 mm	1.6 x 2.1 mm
	1/3"	7.7 x 10.2 mm	3.0 x 4.0 mm	1.2 x 1.6 mm
WD	100.0 mm ±3			
O/I (Object & Imager Distance)	289.8 mm			
Working F/# *Value at Iris Open	6.9	9.3	19.8	
NA	0.034	0.065	0.076	
DOF at PCoC φ0.04mm	2.5 mm	0.5 mm	0.2 mm	
TV Distortion (1/1.8")	-0.09 %	0.12 %	0.11 %	
Relative Illuminance (Y=4.4)	51 %	77 %	99 %	
Wavelength	Visible			
Mount	C-Mount			
Flange Back	17526 mm			
Sensor Size (max.)	1/1.8"			
Co-Axial Prism	Built-in			
Weight (approx.)	-			
Dimension	54 x 93(max.) x L = 150.3 mm			

### VSZ-0745-MR



Optical Mag. Range	0.7x ~ 4.5x			
Optical Mag.	0.7x	1.8x	4.5x	
FOV(VxH)	2/3"	10.1 x 12.0 mm	3.9 x 4.7 mm	1.6 x 1.9 mm
	1/2"	6.9 x 9.1 mm	2.7 x 3.6 mm	1.1 x 1.4 mm
	1/3"	5.1 x 6.9 mm	2.0 x 2.7 mm	0.8 x 1.1 mm
WD	100.0 mm ±3			
O/I (Object & Imager Distance)	291.6 mm			
Working F/# *Value at Iris Open	10.3	13.8	29.0	
NA	0.034	0.065	0.078	
DOF at PCoC φ0.04mm	1.7 mm	0.3 mm	0.1 mm	
TV Distortion (2/3")	-0.03 %	0.09 %	0.08 %	
Relative Illuminance (Y=5.5)	71 %	87 %	99 %	
Wavelength	Visible			
Mount	C-Mount			
Flange Back	17526 mm			
Sensor Size (max.)	2/3"			
Co-Axial Prism	-			
Weight (approx.)	590 g			
Dimension	54 x 93(max.) x L = 174.1 mm			

### VSZ-0745CO-MR



Optical Mag. Range	0.7x ~ 4.5x			
Optical Mag.	0.7x	1.8x	4.5x	
FOV(VxH)	2/3"	10.1 x 12.0 mm	3.9 x 4.7 mm	1.6 x 1.9 mm
	1/2"	6.9 x 9.1 mm	2.7 x 3.6 mm	1.1 x 1.4 mm
	1/3"	5.1 x 6.9 mm	2.0 x 2.7 mm	0.8 x 1.1 mm
WD	100.0 mm ±3			
O/I (Object & Imager Distance)	313.6 mm			
Working F/# *Value at Iris Open	10.3	13.8	29.0	
NA	0.034	0.065	0.078	
DOF at PCoC φ0.04mm	1.7 mm	0.3 mm	0.1 mm	
TV Distortion (2/3")	-0.03 %	0.09 %	0.08 %	
Relative Illuminance (Y=5.5)	71 %	87 %	99 %	
Wavelength	Visible			
Mount	C-Mount			
Flange Back	17526 mm			
Sensor Size (max.)	2/3"			
Co-Axial Prism	Built-in			
Weight (approx.)	680 g			
Dimension	54 x 93(max.) x L = 196.1 mm			