

VS-MS Series 1/2"

In combination with an objective lens, the VS-MS series, given its high numerical aperture, is well suited for very close up inspection. It can be used in combination with various infinity-corrected objective lens adapters. Suitable for high precision alignment and inspection.

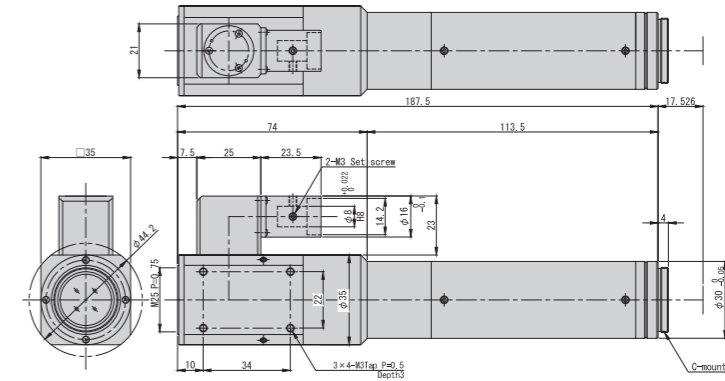
Features

- 5x - 100x objective lenses available
- High NA
- Coaxial light support
- High contrast

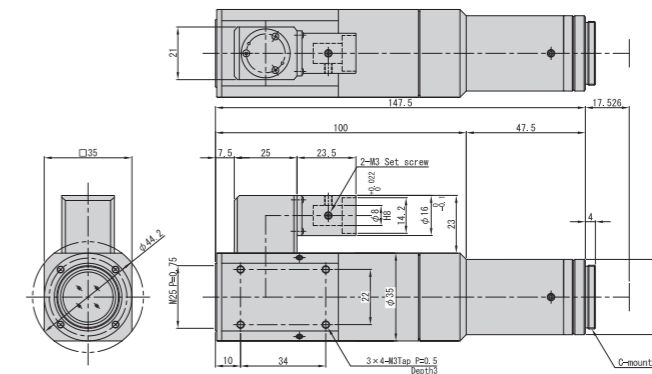


VS-MS1N Standard model

VS-MS1N



VS-MS05N



Objective Lens

VS-MOS

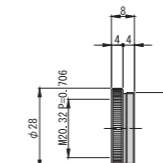
	VS-MOS5X	VS-MOS10X	VS-MOS20X	VS-MOS50X	VS-MOS100X
Mag.	5X	10X	20X	50X	100X
NA	0.1	0.25	0.45	0.55	0.8
WD (mm)	11.4	6.5	11	8.2	2
Focal length (f)(mm)	40	20	10	4	2
DOF	14	3.5	1.6	0.9	0.4
FOV (mm) 1/2CCD	0.96x1.28	0.4x0.64	0.24x0.32	0.1x0.13	0.05x0.06

VS-MOL

	VS-MOL2X	VS-MOL5X	VS-MOL10X	VS-MOL20X	VS-MOL50X	VS-MOL100X
Mag.	2X	5X	10X	20X	50X	100X
NA	0.055	0.13	0.28	0.28	0.42	0.55
WD (mm)	34.5	45	34	31	20.5	13
Focal length (f)(mm)	100	40	20	10	4	2
DOF	91	14	3.5	3.5	1.6	0.9
FOV (mm) 1/2CCD	2.4x3.2	0.96x1.28	0.43x0.64	0.24x0.32	0.10x0.13	0.05x0.06

Mount Adapter

AD-MS1N-OL



AD-MS1N-MT

