

PCIe-1433

2-Channel Camera Link Frame Grabber



GEN<i>i</i>CAM



Introduction

PCIe-1433 Camera Link frame grabber supports Camera Link protocol, and supports Base, Medium, Full, and 80-bit configuration modes. It adopts 1 GB on-board memory to cache images. The frame grabber provides SDK interface and complies with GenCam standard for secondary development.

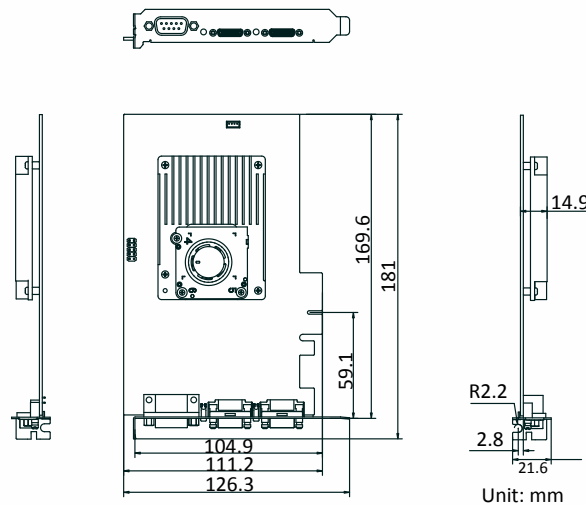
Available Model

PCIe-1433

Key Feature

- Supports Camera Link protocol with two SDR connectors accessing up to 6.8 Gbps data transfer speed theoretically.
- Supports PoCL with each channel providing 4 W at most.
- Adopts multiple I/O connectors for input and output.
- Provides SDK and supports GenTL protocol for secondary development.
- Complies with GenCam standard.

Dimension



Specification

Model	PCIe-1433
Performance	
Configuration mode	Base, Medium, Full, 80-bit, Lite
Pixel clock	20 MHz to 85 MHz
Memory	
On-board memory	1 GB DDR3-RAM
Host interface	
Interconnect	PCI-E gen2 × 4
Delivery bandwidth	1720 MB/s (max. transmission bandwidth), 1600 MB/s (sustained transmission bandwidth)
Indicator	1
Camera interface	
Standard	Camera Link 2.1
Interface	SDR × 2
Power output	PoCL, each channel provides 4 W@ 12 VDC at most
Camera type supported	Camera Link industrial camera
Camera quantity supported	2 at most
Camera connection speed	6.8 Gbps
Stream	2
Stream indicator	2
Processing feature	
Pixel format	Mono 8/10/12/16, Bayer 8/10/12/16, RGB 8, BGR 8
GPIO	
I/O Type	Configurable input/output × 8, compatible with single-ended/differential Line 2/3 supports 3.3 VDC to 26 VDC input and 3.3 VDC to 24 VDC output Line 0/1/4/5/6/7 supports 3.3 VDC to 12 VDC input, and 3.3 VDC output
Connector	DB9 male connector, 9-pin header (2.54 mm interval, 2 × 5, 10-pin hole)
Electrical feature	
Power consumption	Typ. 9 W (without PoCL)
Mechanical	
Dimension	181 mm × 126.3 mm × 21.6 mm (7.1" × 5.0" × 0.9")
Temperature	Working temperature: 0 °C to 60 °C (32 °F to 140 °F) Storage temperature: -20 °C to 70 °C (-4 °F to 158 °F)
Humidity	10% to 95% RH, non-condensing
General	
Client software	MVS
Operating system	32/64-bit Windows 7/10
Certification	CE, FCC, RoHS, KC