

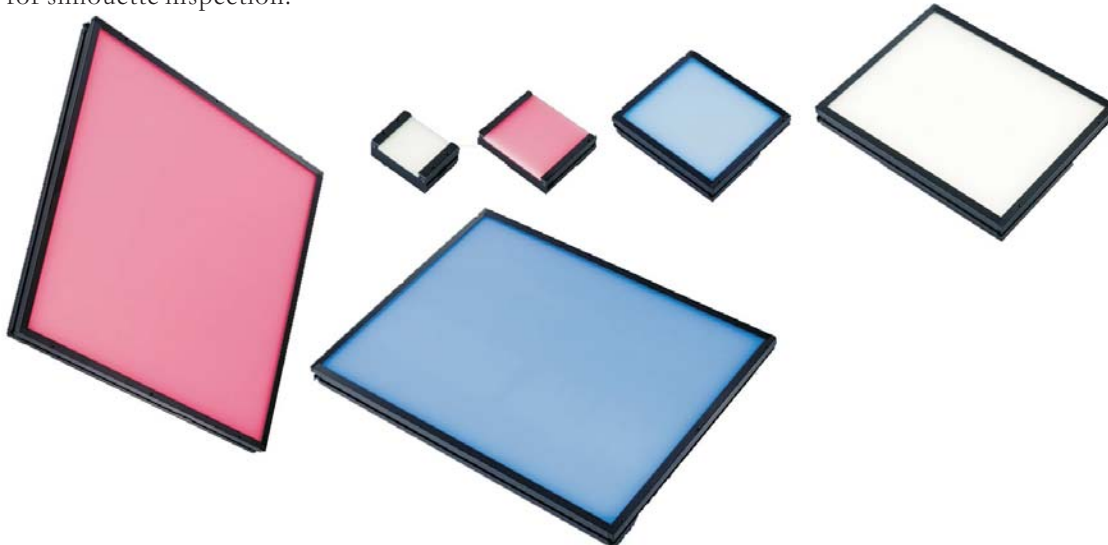
Flat Lights

PSL Series

Indirect Lighting

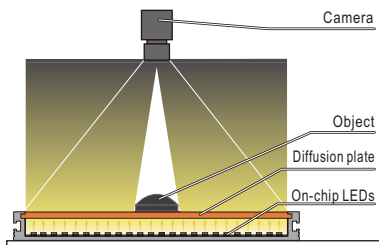
High output and High Uniformity

Ideal for silhouette inspection.



Illumination structure of PSL-140-105

A high output is achieved with a flat design. You can illuminate the workpiece from the back, through a Diffusion Plate.



Product Lineup Table

Series	Model Name	Color	Power Consumption	Dimension
PSL	PSL-27-27-R	●	24V/1.9W	1
	PSL-27-27-W	○	24V/2.2W	
	PSL-27-27-B	●	24V/2.2W	
	PSL-43-35-R	●	24V/3.8W	2
	PSL-43-35-W	○	24V/3.0W	
	PSL-43-35-B	●	24V/3.0W	
	PSL-51-51-R	●	24V/5.1W	3
	PSL-51-51-W	○	24V/5.2W	
	PSL-51-51-B	●	24V/5.2W	
	PSL-63-60-R	●	24V/8.1W	4
	PSL-63-60-W	○	24V/7.9W	
	PSL-63-60-B	●	24V/7.9W	
	PSL-83-75-R	●	24V/11W	5
	PSL-83-75-W	○	24V/12W	
	PSL-83-75-B	●	24V/12W	
PSL-100-100-R	●	24V/19W	6	
PSL-100-100-W	○	24V/18W		
PSL-100-100-B	●	24V/18W		

Series	Model Name	Color	Power Consumption	Dimension
PSL	PSL-140-105-R	●	24V/25W	7
	PSL-140-105-W	○	24V/24W	
	PSL-140-105-B	●	24V/24W	
	PSL-160-120-R	●	24V/28W	8
	PSL-160-120-W	○	24V/30W	
	PSL-160-120-B	●	24V/30W	
	PSL-200-150-R	●	24V/38W	9
	PSL-200-150-W	○	24V/37W	
	PSL-200-150-B	●	24V/37W	
	PSL-224-170-R	●	24V/41W	10
	PSL-224-170-W	○		
	PSL-224-170-B	●		
	PSL-211-200-R	●	24V/45W	11
	PSL-211-200-W	○		
	PSL-211-200-B	●		

Flat Lights

PSL Series

System

Optical

Motion

Vision

Mechanics

Index

VDM

Lighting

Lens

Camera

Ring Lights

Low-angle

Bar Lights

Flat-ring

Flat Lights

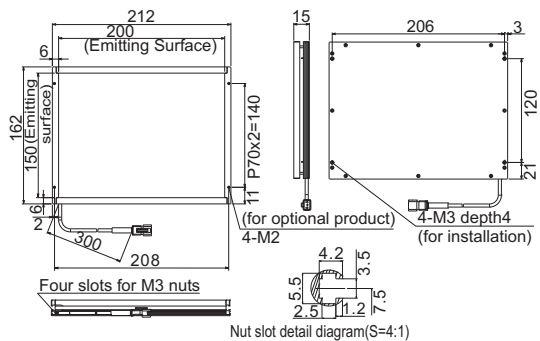
Dome Lights

Coaxial Lights

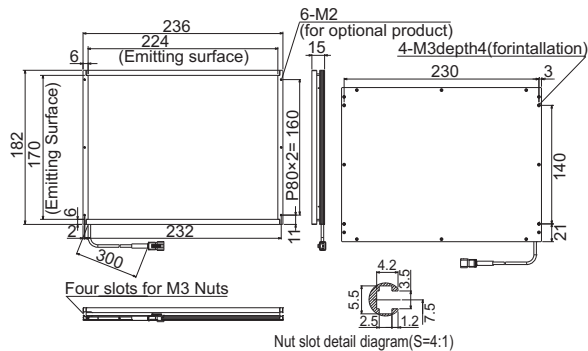
Spot Lights

Indirect Lighting

9 PSL-200-27-□



10 PSL-224-170-□



11 PSL-211-200-□

