

Spot Lights

DSL-14/DSL-22/DSL-22-HS Series

Special

- System
- Optical
- Motion

High-output spot Light

Lightweight and compact with a low power consumption and long service

Vision

- Mechanics
- Index

VDM

Lighting

Lens

Camera

Ring Lights

Low-angle

Bar Lights

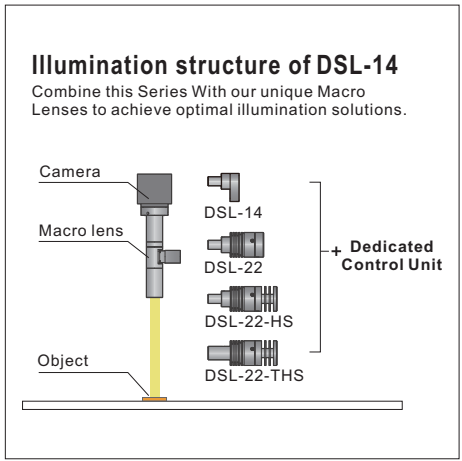
Flat-ring

Flat Lights

Dome Lights

Coaxial Lights

Spot Lights



Smallest in the Industry: DSL-14Series

Low weight and compact designs reduce space requirements.

Product Lineup Table

Series	Model Name	Color	Power Consumption	Dimension
DSL-14	DSL-14R	●	0.9W	1
	DSL-14W	○		
	DSL-14B	●		
	DSL-14G	●		
	DSL-14R-U	●		
	DSL-14W-U	○		
	DSL-14B-U	●		
	DSL-14G-U	●		
DSL-22	DSL-22R	●	1.4W	2
	DSL-22W	○		
	DSL-22B	●		
	DSL-22G	●		

Series	Model Name	Color	Power Consumption	Dimension
DSL-22-HS	DSL-22R-HS	●	2.8W	3
	DSL-22W-HS	○		
	DSL-22B-HS	●		
	DSL-22G-HS	●		
DSL-22-THS	DSL-22R-THS	●	2.8W	4
	DSL-22W-THS	○		
	DSL-22B-THS	●		
	DSL-22G-THS	●		

Series	Model Name	Outline
BSE	BSE-30	Condensing Lens Dedicated to the DSL-22/HS Series
	BSE-24-21	

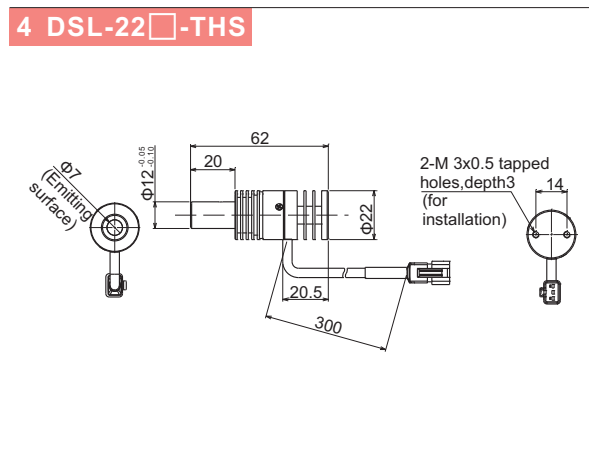
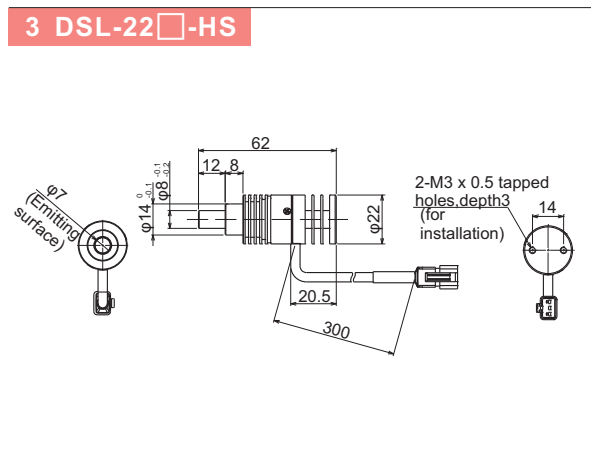
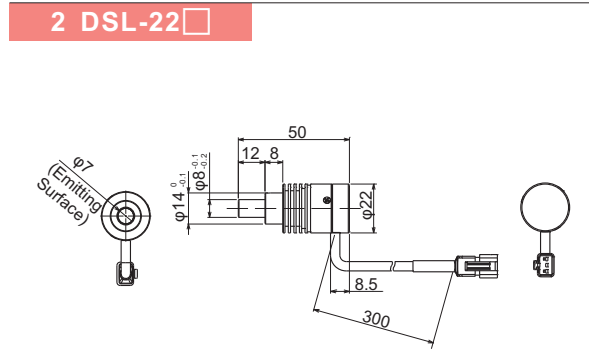
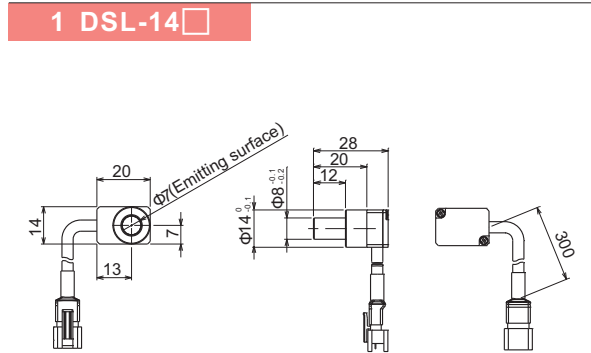
Spot Lights

DSL-14/DSL-22/DSL-22-HS Series

Special

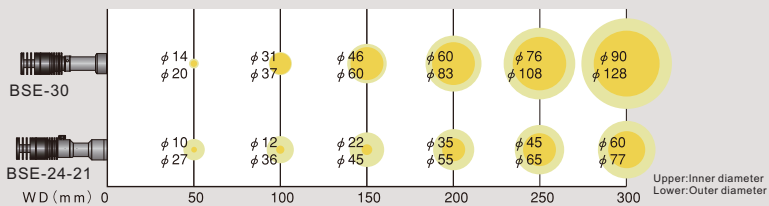
- System
- Optical
- Motion
- Vision**
- Mechanics
- Index

- VDM
- Lighting**
- Lens
- Camera
- Ring Lights
- Low-angle
- Bar Lights
- Flat-ring
- Flat Lights
- Dome Lights
- Coaxial Lights
- Spot Lights**



Condensing Lens for the DSL-22 Series: BSE-30/BSE-24-21

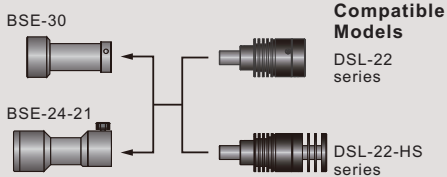
Illumination Range of the BSE-30/BSE-24-21



*The data shown here represents actual measurements. Value is not guaranteed.

Dimension Diagrams (unit:mm)

Mounting to the DSL-22 Series



*Cannot be used with the DSL-14 or DSL-22-THS Series.

