

# Array Holder for Grating Coupler

ARH-GC8

RoHS

Fiber holder to fix fiber arrays up to 4 to 10 mm in width for grating couplers.  
Attached to the holder mounting table of the fiber alignment unit.

- For use in aligning grating fiber couplers, a variety of fiber holders are available that can be positioned vertically. Lineups for bare fiber and fiber arrays are available.
- The angle can be adjusted in the range of 0° to 18°, corresponding to a preset angle of 8°.
- Fiber arrays of 4 to 10 mm can be securely fixed depending on the amount of turning of the clamping screw.
- Attachment to the fiber alignment unit is a one-touch operation using magnets for easy connection and disconnection.
- Can be attached to the DAU-8100A series alignment unit.



## Guide

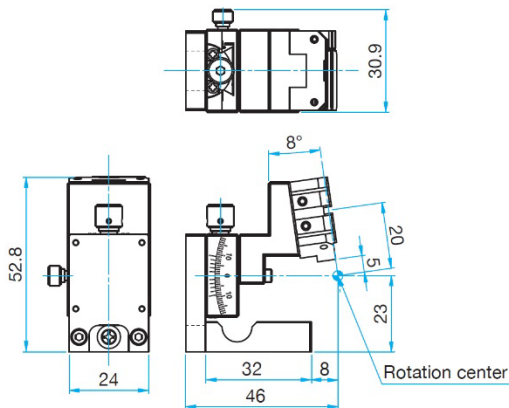
- Fiber holders are also available for grating couplers.
- For sizes and shapes not listed here, please contact our sales department.

## Attention

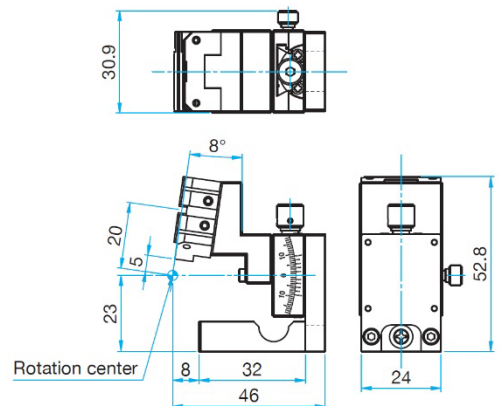
- Please pay attention to the tightening force when securing with the clamp screws. Excessive tightening may cause damage to the fiber array.

## Outline Drawing

ARH-010L-GC8



ARH-010R-GC8



| Specifications       |                     |
|----------------------|---------------------|
| Part Number          | <b>ARH-010L-GC8</b> |
| (Opposite Model)     | <b>ARH-010R-GC8</b> |
| Array Width [mm]     | 4~10                |
| Preset Angle [°]     | 8                   |
| Adjustment Range [°] | 0~18                |
| Primary Material     | Aluminum            |
| Finish               | Black Anodized      |
| Weight [kg]          | 0.16                |

ARH-GC8\_E2403