

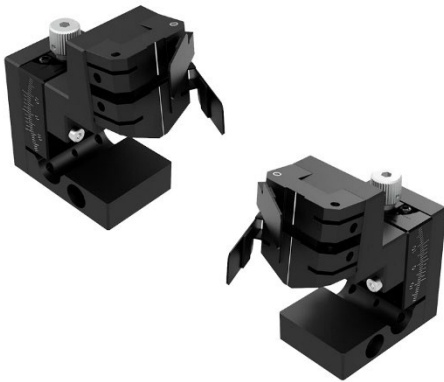
Fiber Holder for Grating Coupler

FHMF-GC8



**Fiber holder for grating coupler.
Attached to the holder mounting table of the fiber alignment unit.**

- Various fiber holders can be vertically positioned for use in core alignment of grating fiber couplers. Available for bare fiber and fiber arrays.
- The angle can be adjusted in the range of 0° to 18° with a preset angle of 8°.
- Attachment to the fiber alignment unit is a one-touch operation using magnets for easy connection and disconnection.
- Can be attached to the DAU series fiber alignment unit.

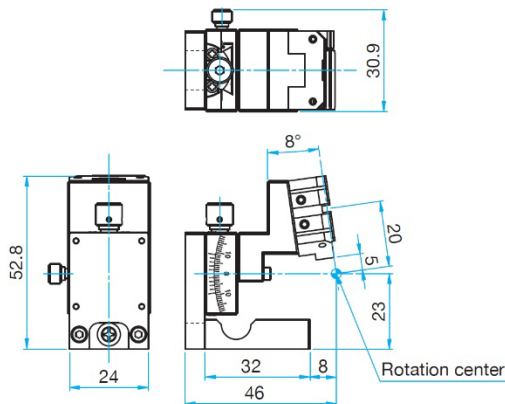


Guide

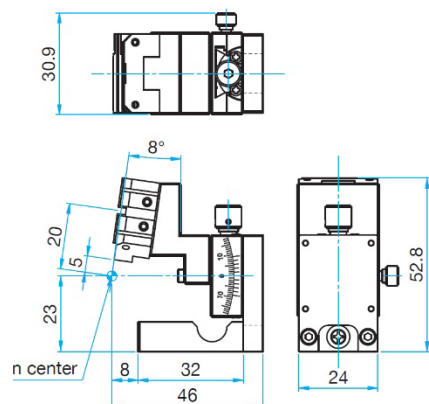
- Array holders are also available for grating couplers.
- We also have three jacket diameters of 250 μm, 400 μm, and 900 μm. All cladding diameters are specified at 125 μm.

Outline Drawing

FHMF-125/**L-GC8



FHMF-125/**R-GC8



| Specifications | FHMF-125/250L-GC8 | FHMF-125/400L-GC8 | FHMF-125/900L-GC8 |
|------------------------|-------------------|-------------------|-------------------|
| Part Number | FHMF-125/250L-GC8 | FHMF-125/400L-GC8 | FHMF-125/900L-GC8 |
| (Opposite Model) | FHMF-125/250R-GC8 | FHMF-125/400R-GC8 | FHMF-125/900R-GC8 |
| Cladding Diameter [μm] | 125 | 125 | 125 |
| Jacket Diameter [μm] | 250 | 400 | 900 |
| Preset Angle[°] | 8 | 8 | 8 |
| Adjustment Range[°] | 0 - 18 | 0 - 18 | 0 - 18 |
| Primary material | Aluminum | Aluminum | Aluminium |
| Finish | Black Anodized | Black Anodized | Black Anodized |
| Weight [kg] | 0.12 | 0.12 | 0.12 |