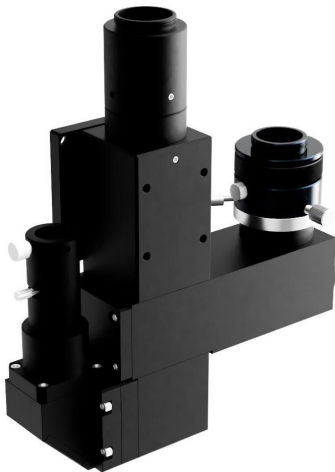


2-port Observation Unit with Coaxial Illumination **OUCI-3-M1M1** RoHS

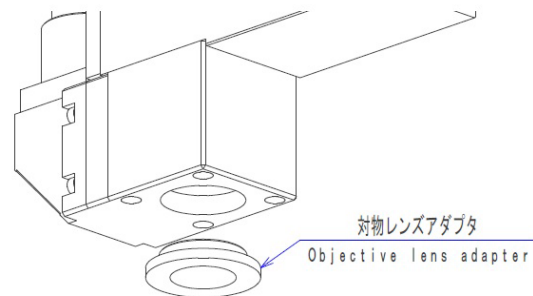
This compact microscope body is a customizable high performance imaging system for use in a wide range of applications from scientific research to industrial production equipment.

- The camera sensor size is 1.2 inches (diagonal 21.4 mm or less), allowing observation of a wide area in the visible range.
- Illumination is coaxial epi-illumination for bright-field observation.
- Our objective lenses (PAL series and EPL series, thread dimension $\phi 20.32 \times 0.706$) can be used.



Guide

- ▶ Infinite system objective lenses can be used. Finite objective lenses cannot be used.
- ▶ Please note that the magnification standard is different from that of Olympus objective lenses.
- ▶ The objective lens mounting standard is $\phi 20.32 \times 0.706$. By removing the conversion adapter, an objective lens of $\phi 26 \times 0.706$ can be used. (See below).



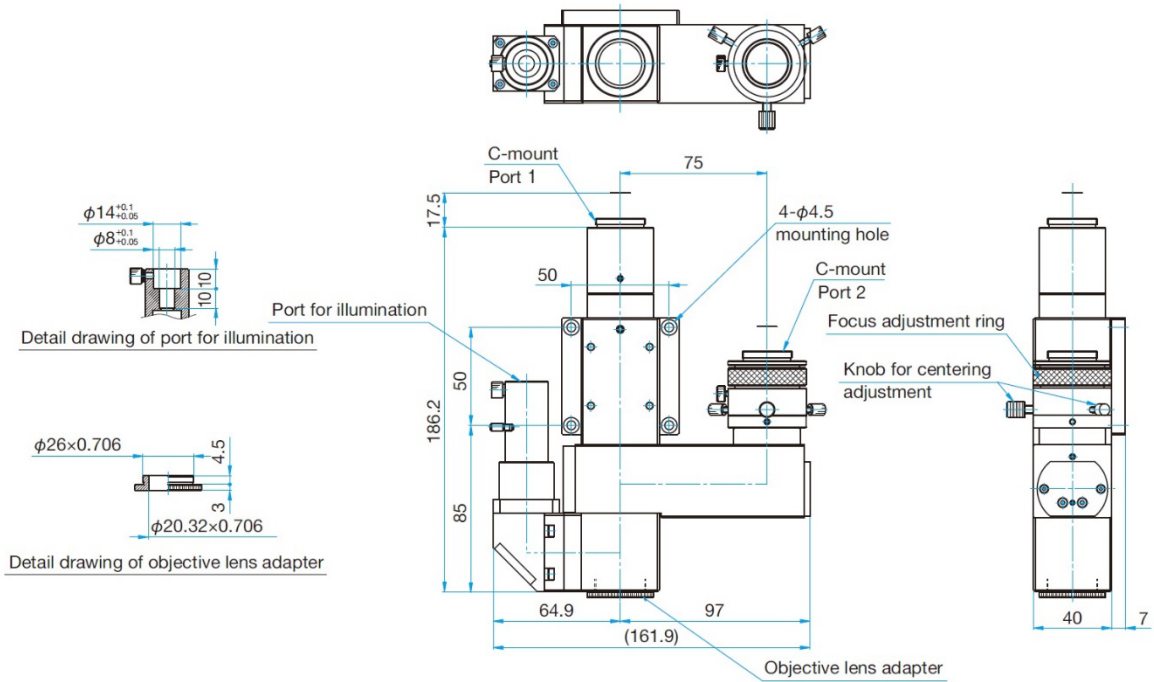
- ▶ Contrast can be adjusted by using the aperture diaphragm.
- ▶ If you wish to observe at different magnifications at the same time, you can change the magnification (focal length of the imaging lens) with custom order. Please contact our Sales.
- ▶ These products can be used in combination with our catalog products (stages, light sources, etc.) for a variety of applications.

Attention

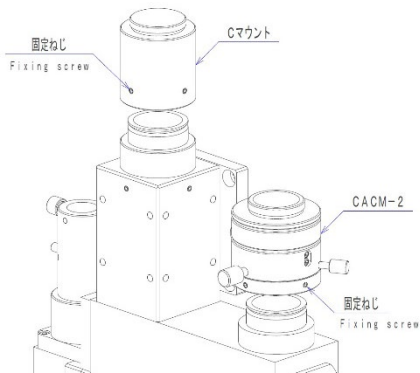
- ▶ Do not use the microscope for any purpose other than as a microscope.
- ▶ Note that the magnification will be different if an objective lens designed for a focal length other than $f=200$ mm is used as the imaging lens.
- ▶ Objective lenses with a finite system cannot be used.

Specification		
Part Number		OUCI-3-M1M1
Product Name		2-port Observation Unit with Coaxial Illumination
Observed Image		Bright-field / Erect Image
Mounting Surfaces		2
Camera Port	Number of Port	2
	Observation wavelength	Visible range (460-650nm)
	Imaging Lens Focal Length	Port 1: 1x (200mm)/ Port 2: 1x (200mm)
	Mount	Port1 and 2: C mount (flange back 17.526mm) Port 2 : Centering and focus adjustment mechanism included
	Compatible image sensor size	1.2" (Diagonal 21.4mm) less
Illumination	Method	Telecentric illumination with built-in aperture stop
	Compatible light sources	SLA-100B, SHLA-150
	Filter	-
Weight		1.25kg
Objective Lens Corresponding objective lens screw)		PAL and EPL series ($\phi 26 \times 0.706$)

OUCI-3-M1M1

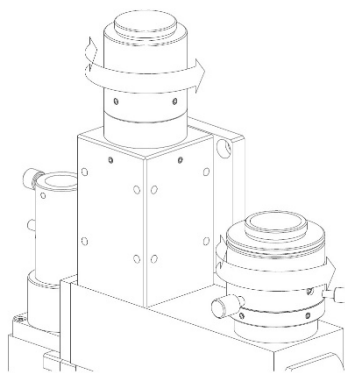


Installation



Installation of OUCI-3-M1M1

Fix OUCI-3-M1M1 with M4 screws. (There is a counterbore hole for the M4 hexagon socket head cap screw.)



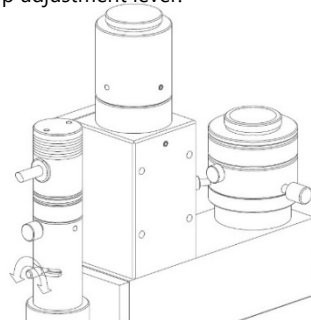
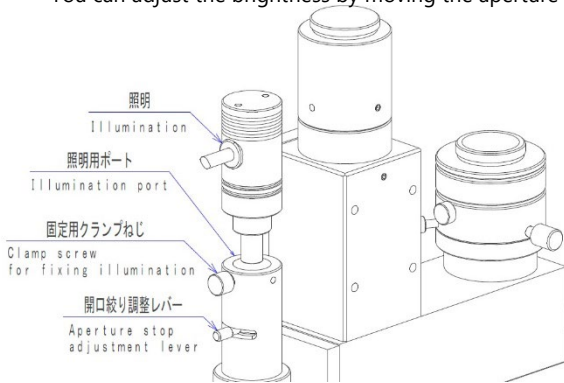
Installation of camera (sold separately)

Loosen the fixing screws (2 places) and remove the C mount and CACM-2. After attaching the camera to the C mount and CACM-2, put it back.

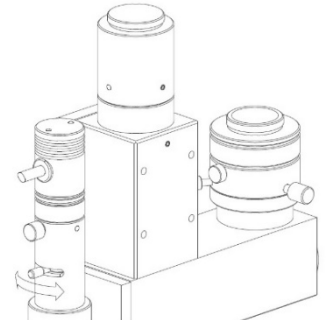
Adjust the rotation of the camera and tighten the fixing screws (2 places).

Installation of illumination (sold separately)

Insert the illumination into the illumination port and tighten the fixing clamp screw. You can adjust the brightness by moving the aperture stop adjustment lever.



Turn clockwise to lock
Turn counterclockwise to release



Adjust the aperture diameter