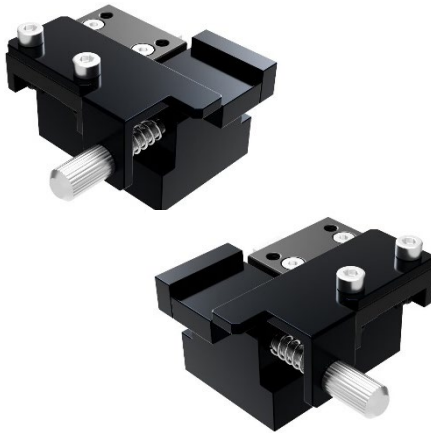


**Fiber holder to fix fiber arrays with widths from 4 to 10 mm.  
Attached to the holder mounting table of the fiber alignment unit.**

- Depending on the amount of turning of the clamping screw, fiber arrays with widths of 4~10 mm can be securely fixed.
- Attachment to the fiber alignment unit is a one-touch operation using magnets for easy connection and disconnection.
- Can be attached to the DAU series fiber alignment unit.



## Guide

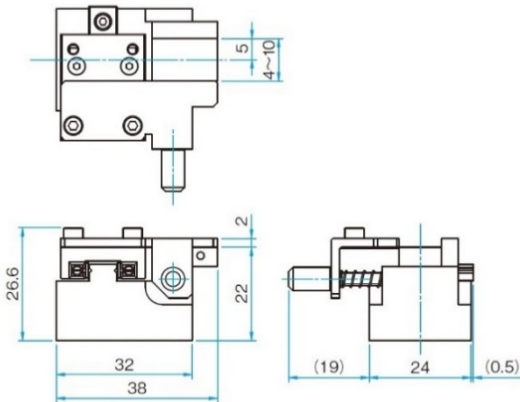
- ▶ ARH-010L (for fiber alignment left unit)/ARH-010R (for fiber alignment right unit) is available.
- ▶ For sizes and shapes not listed here, please contact our sales department.

## Attention

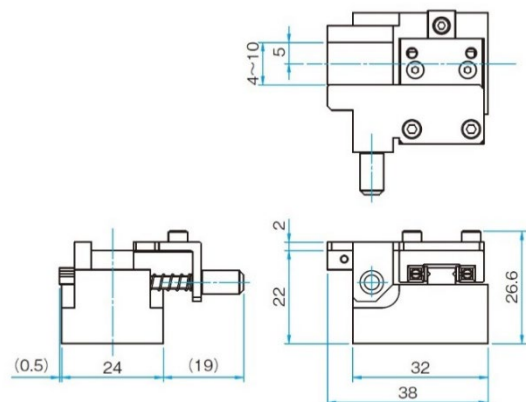
- ▶ Please pay attention to the tightening force when securing with the clamp screws. Excessive fastening may cause damage to the fiber array.

## Outline Drawing

ARH-010L



ARH-010R



Specifications	
Part Number	ARH-010L
(Opposite Model)	ARH-010R
Applicable array width	4~10mm
Primary material	Aluminium
Finish	Black Anodized
Weight [kg]	0.076