

# Rotating Fiber Holder

FHRM

RoHS

Rotatable fiber holder to rotate and align the polarization plane of polarization-maintaining fibers.

Attached to the holder mounting table of the fiber alignment unit.

- The plastic pushers have built-in magnetizing set bolts, gently clamps the polarization-maintaining fiber by the magnetic force of the fiber holder's magnets.
- Attachment to the fiber alignment unit is a one-touch operation using magnets for easy connection and disconnection.
- Can be attached to the DAU series fiber alignment unit.

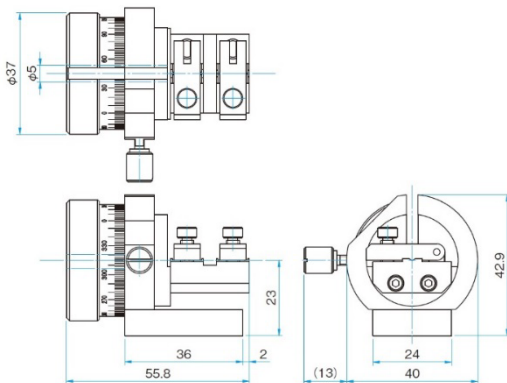


## Guide

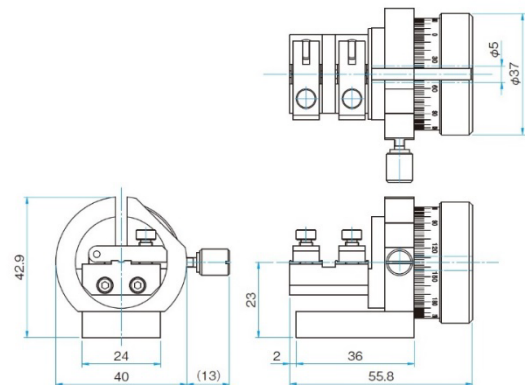
- ▶ FHRM-125/\*\*L (for fiber alignment left unit) and FHRM-125/\*\*R (for fiber alignment right unit) are available. In addition, several types of jacket diameters (fiber coating diameter) are available.
- ▶ For sizes and shapes not listed here, please contact our sales department.

## Outline Drawing

FHRM-125/\*\*L



FHRM-125/\*\*R



Specifications	FHRM-125/250L	FHRM-125/400L	FHRM-125/900L
Part Number	FHRM-125/250L	FHRM-125/400L	FHRM-125/900L
(Opposite Model)	FHRM-125/250R	FHRM-125/400R	FHRM-125/900R
Cladding Diameter [μm]	125	125	125
Jacket Diameter [μm]	250	400	900
Adjustment Range	360°	360°	360°
Primary material	Aluminium	Aluminium	Aluminium
Finish	Black Anodized	Black Anodized	Black Anodized
Weight [kg]	0.118	0.118	0.118