

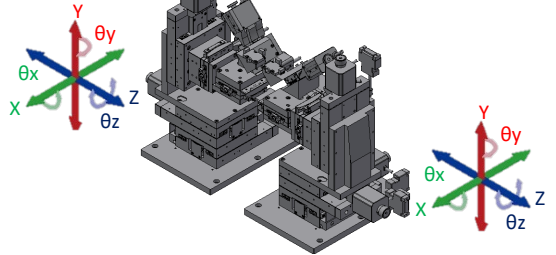
Rotating Fiber Holder with Coarse/Fine Adjustment **FHRS/FHRSW** RoHS

Rotating fiber holder with coarse/fine adjustment to rotate and align the polarization plane of polarization-maintaining fibers. It is used by attaching it to the holder mounting section of the alignment unit.



- The plastic pushers have built-in magnetizing set bolts, gently clamps the polarization-maintaining fiber by the magnetic force of the fiber holder's magnets.
- Attachment to the fiber alignment unit is a one-touch operation using magnets for easy connection and disconnection.
- Can be attached to the DAU series fiber alignment unit.

Catalog Code **W2092**



Guide

- We have two types of fiber holders: the FHRSW series with a suction function at the tip and the FHRS series without a suction function. We also have three jacket diameters of 250 μm, 400 μm, and 900 μm. All cladding diameters are specified at 125 μm.
- The FHRSW series comes with a vacuum suction tube (2m).
- Various other fiber holders are available.

Attention

- When removing the fiber retention unit, please do so at the 0 degree position. A vacuum pump is also required to use the adsorption mechanism. Please contact our sales department for information on vacuum pump peripheral equipment.

Fiber Holders Other fiber holders are available.



FHMf series
Fiber Holders



FHRM series
Rotating Fiber Holder



FHRA series
Automatic Rotating
Fiber Holder
(without suction function,
magnetic clamp)



FHRAW series
Automatic Rotating
Fiber Holder
(with suction function, vacuum suction
+ magnetic clamp)



FHRMW series
Rotating Fiber Holder
(with adsorption function)



ARH series
Fiber Array Holders



FHMf-GC08 series
Fiber Holder
for Grating Coupler



ARH-GC08 series
Array Holder
for Grating Coupler

■ **Rotating Fiber Holder with Coarse/Fine Adjustment (Without suction function: FHR)**

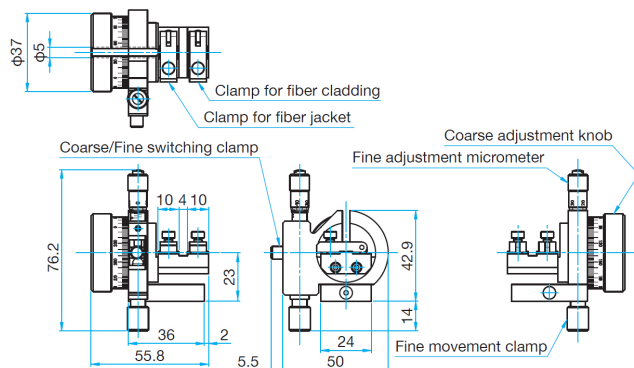
Specifications				
Part Number		FHRS-125/250L	FHRS-125/400L	FHRS-125/900L
(Opposite Model)		FHRS-125/250R	FHRS-125/400R	FHRS-125/900R
Mechanical Specifications	Travel [°]	Coarse: 360, Fine: ±5		
	Fiber optic jacket diameter [μm]	250	400	900
	Fiber optic cladding diameter [μm]	125		
	Fine Resolution [°/rotation]	1.3		
	Fine Resolution [°/DIV]	0.026		
	Primary Material	Aluminum		
	Finish	Black anodized		
	Weight [kg]	0.16		

■ **Rotating Fiber Holder with Coarse/Fine Adjustment (With suction function: FHRSW)**

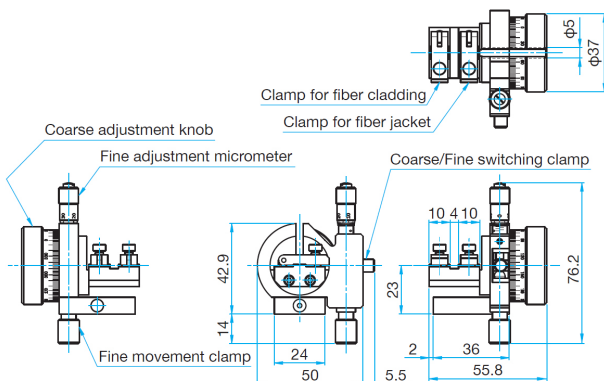
Specifications				
Part Number		FHRWS-125/250L	FHRWS-125/400L	FHRWS-125/900L
(Opposite Model)		FHRWS-125/250R	FHRWS-125/400R	FHRWS-125/900R
Mechanical Specifications	Travel [°]	Coarse: 360, Fine: ±5		
	Fiber optic jacket diameter [μm]	250	400	900
	Fiber optic cladding diameter [μm]	125		
	Fine Resolution [°/rotation]	1.3		
	Fine Resolution [°/DIV]	0.026		
	Primary Material	Aluminum		
	Finish	Black anodized		
	Weight [kg]	0.2		

*Accessories for FHRSW series Vacuum suction tubes (2 m)
 Air fitting: LC-0425-M3(Nihon Pisco Co., Ltd.) Applicable tube inner diameter: φ2.5

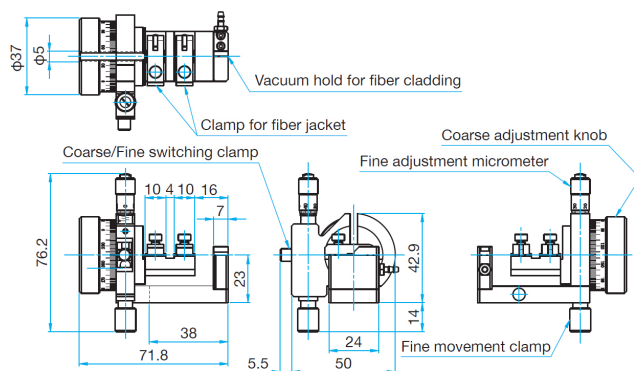
FHRS-125/L**



FHRS-125/R**



FHRWS-125/L**



FHRWS-125/R**

